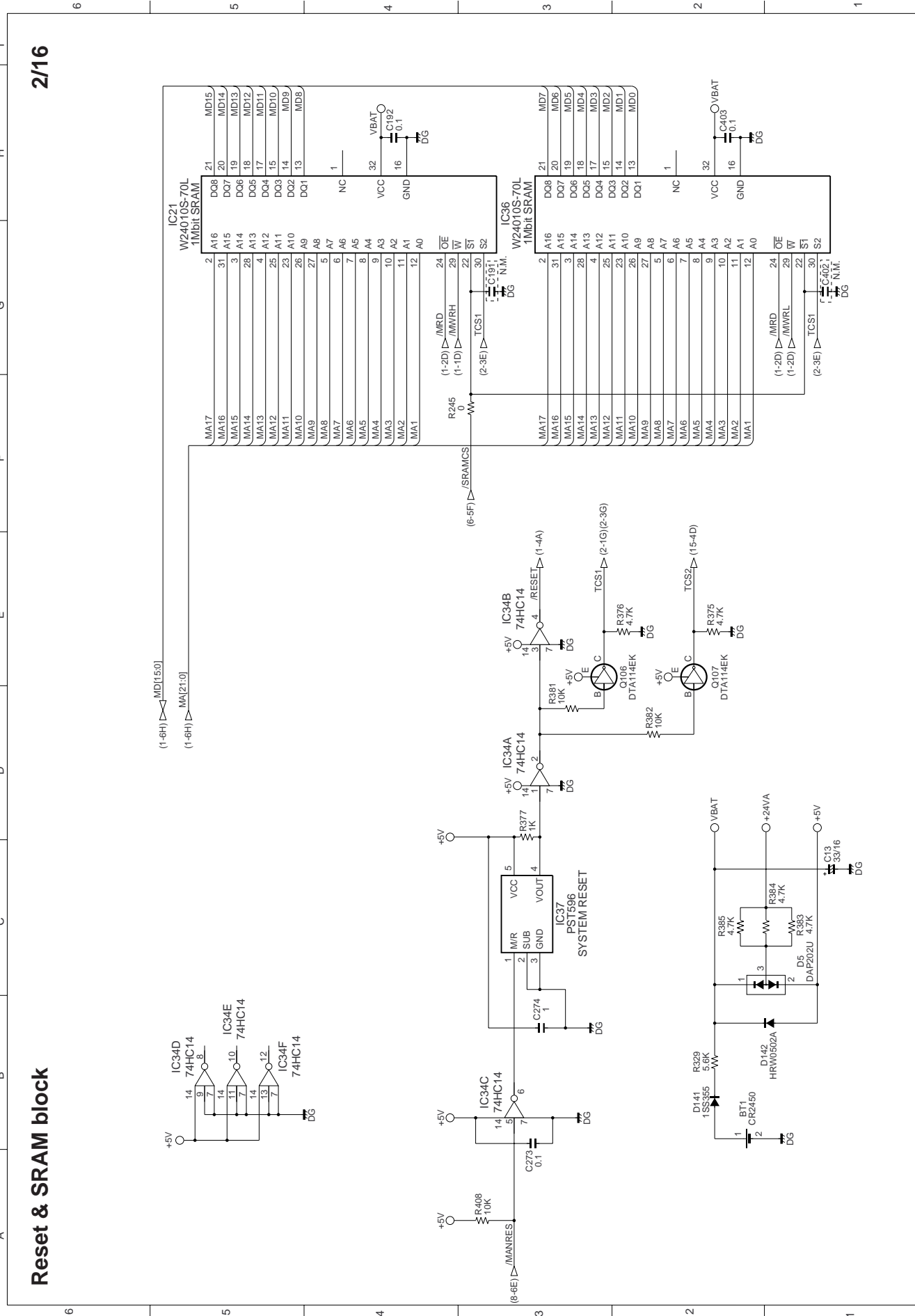




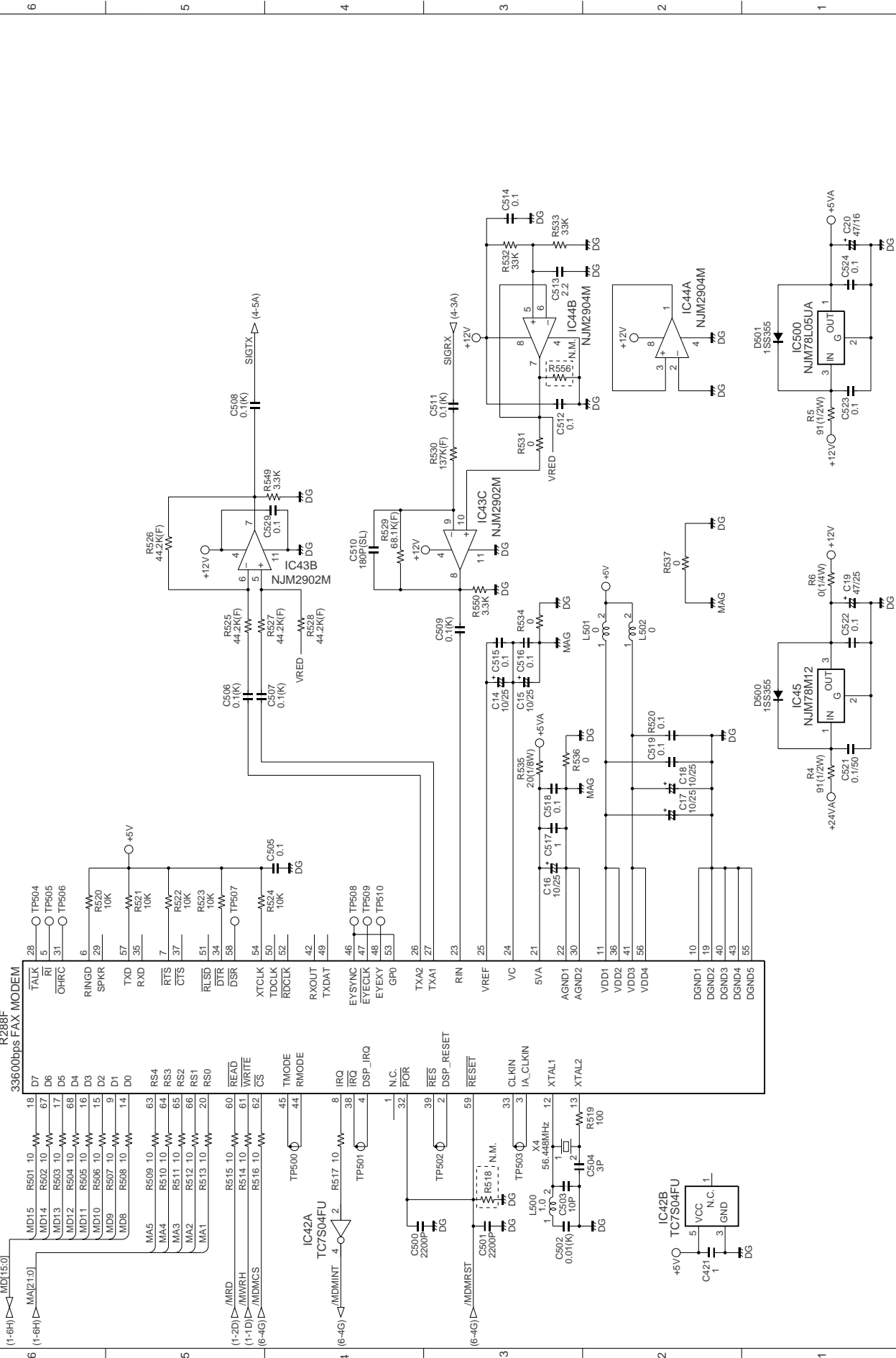
Reset & SRAM block



**Modem block 1**

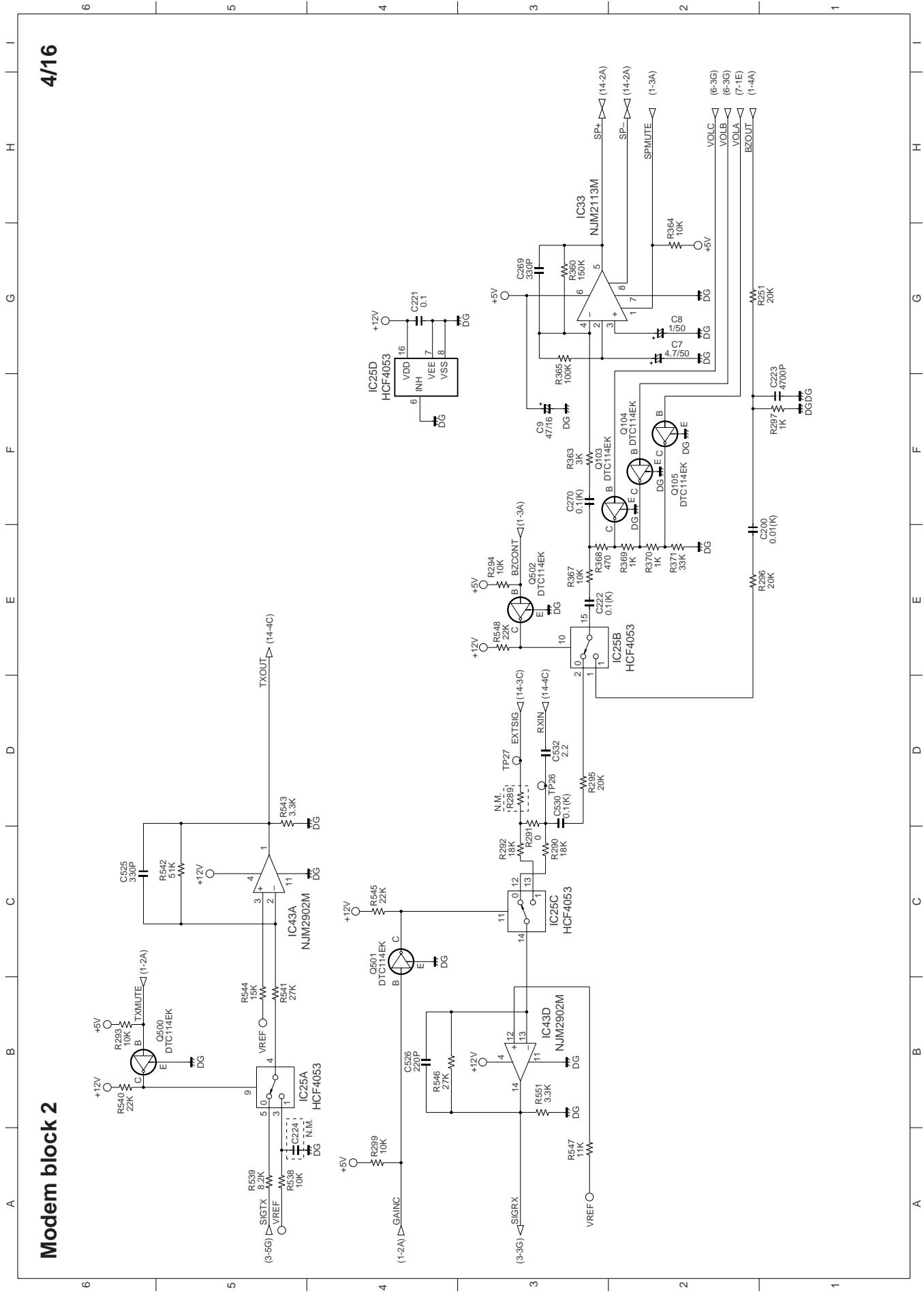
IC41  
R288F

33600bps FAX MODEM



# Modem block 2

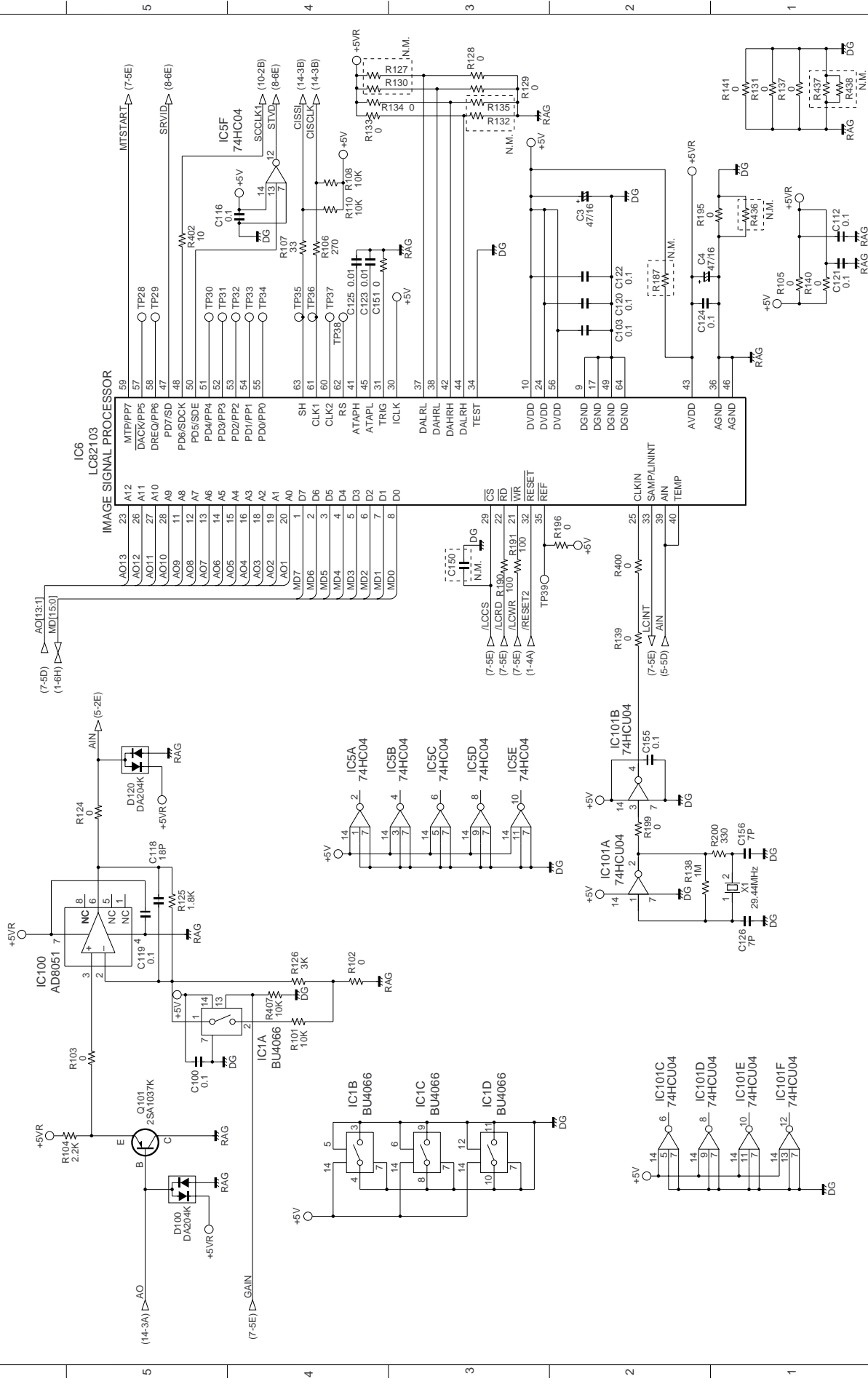
4/16

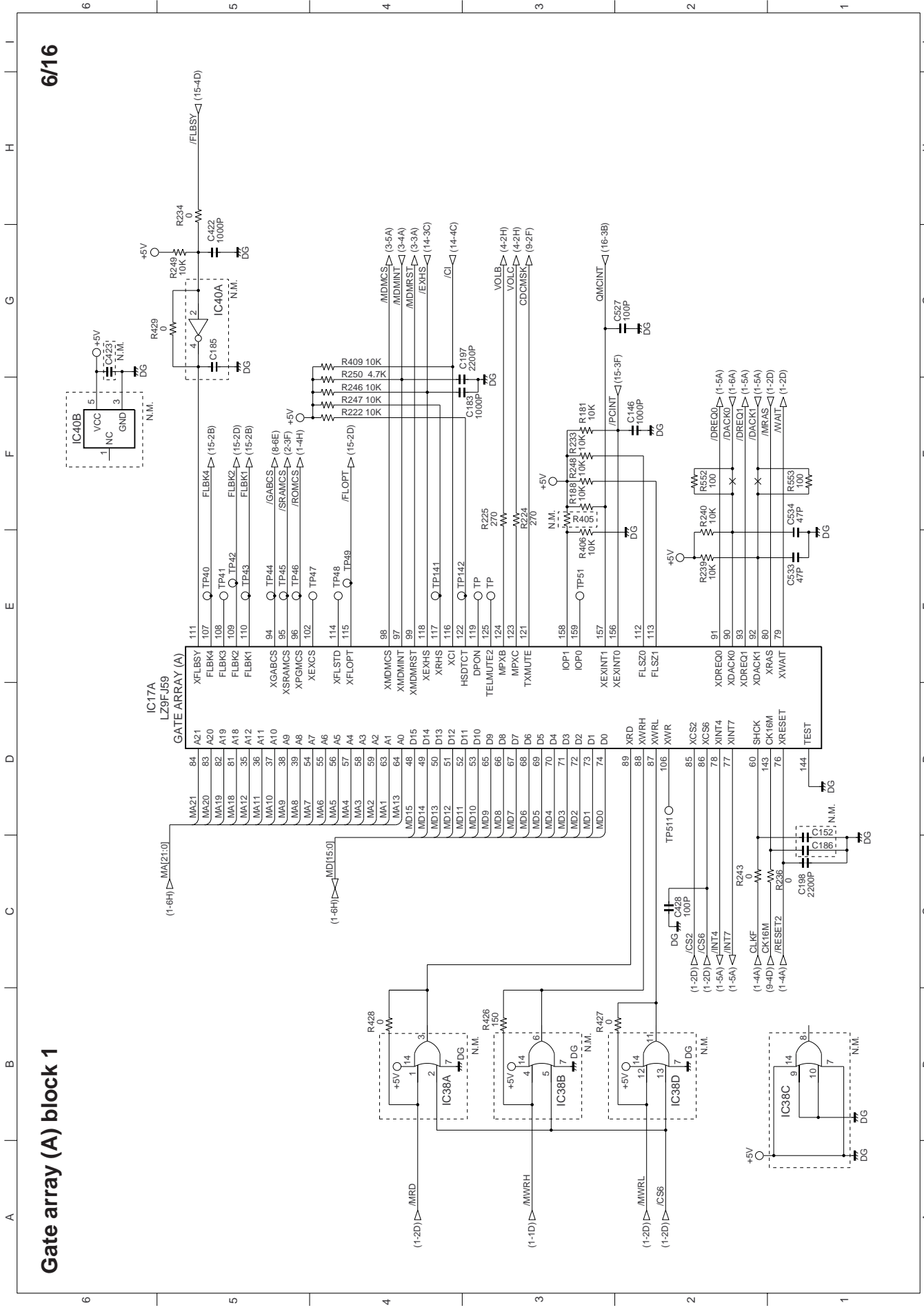


Reading block

5/16

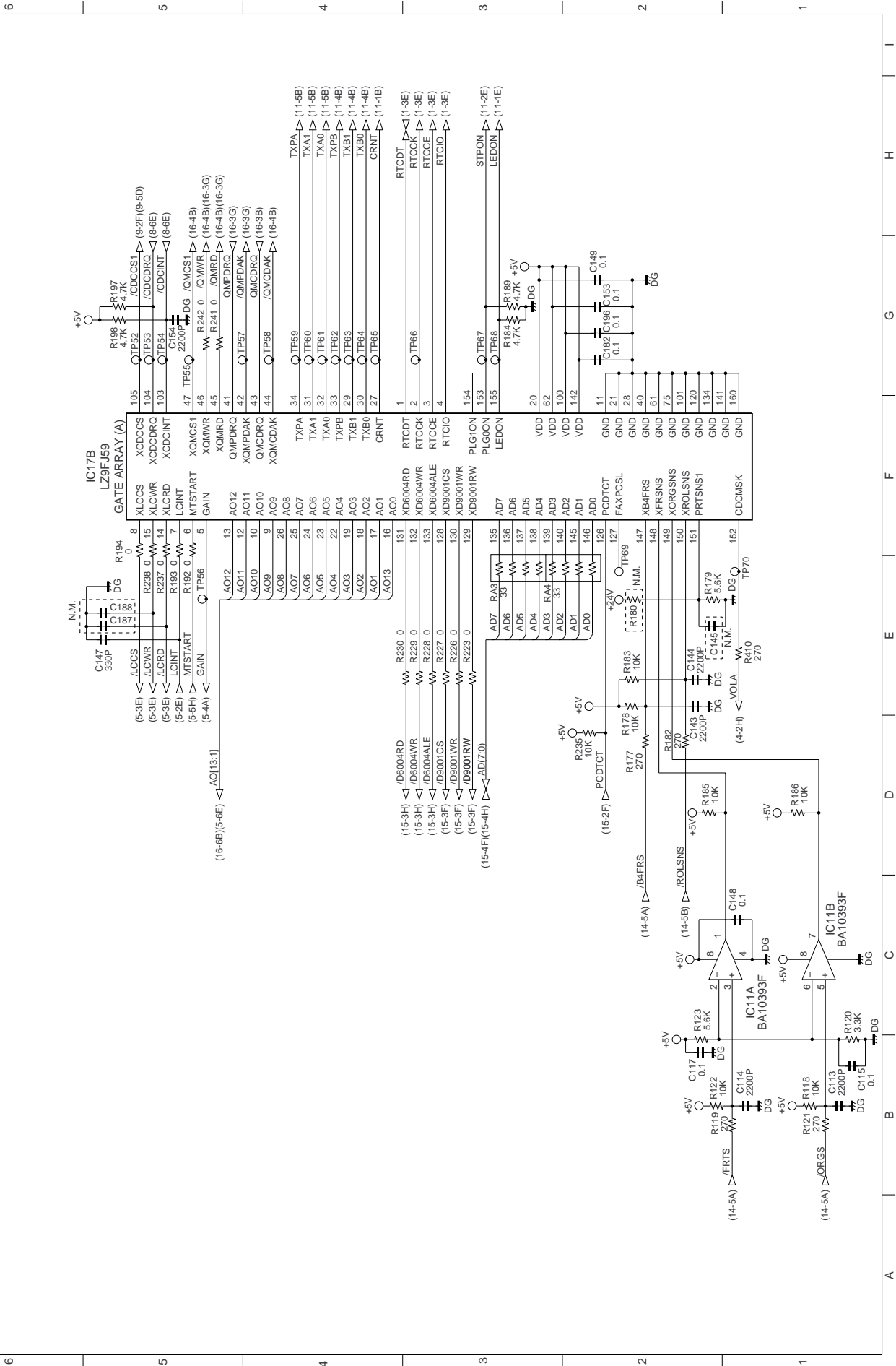
6 5 4 3 2 1

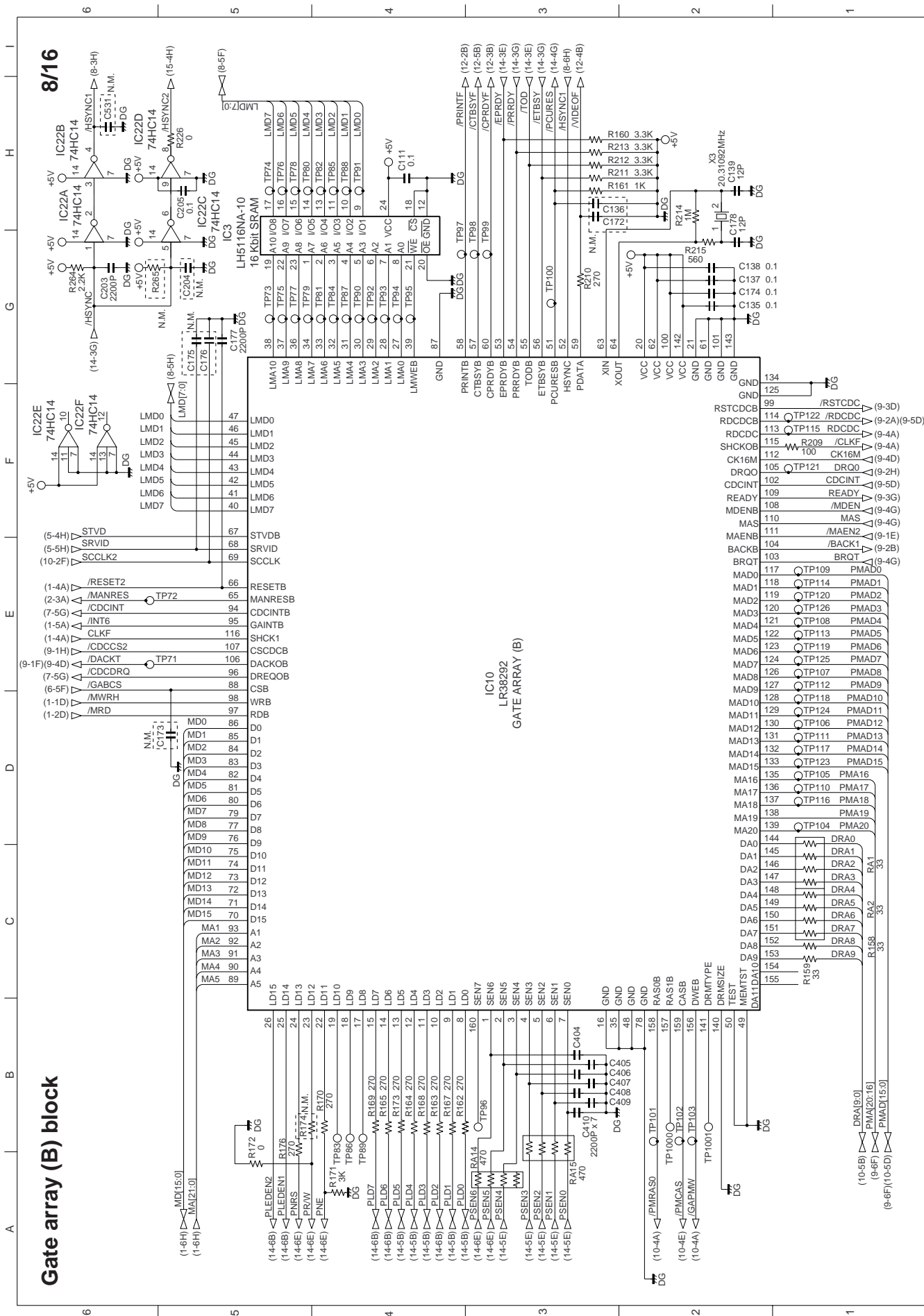




Gate array (A) block 2

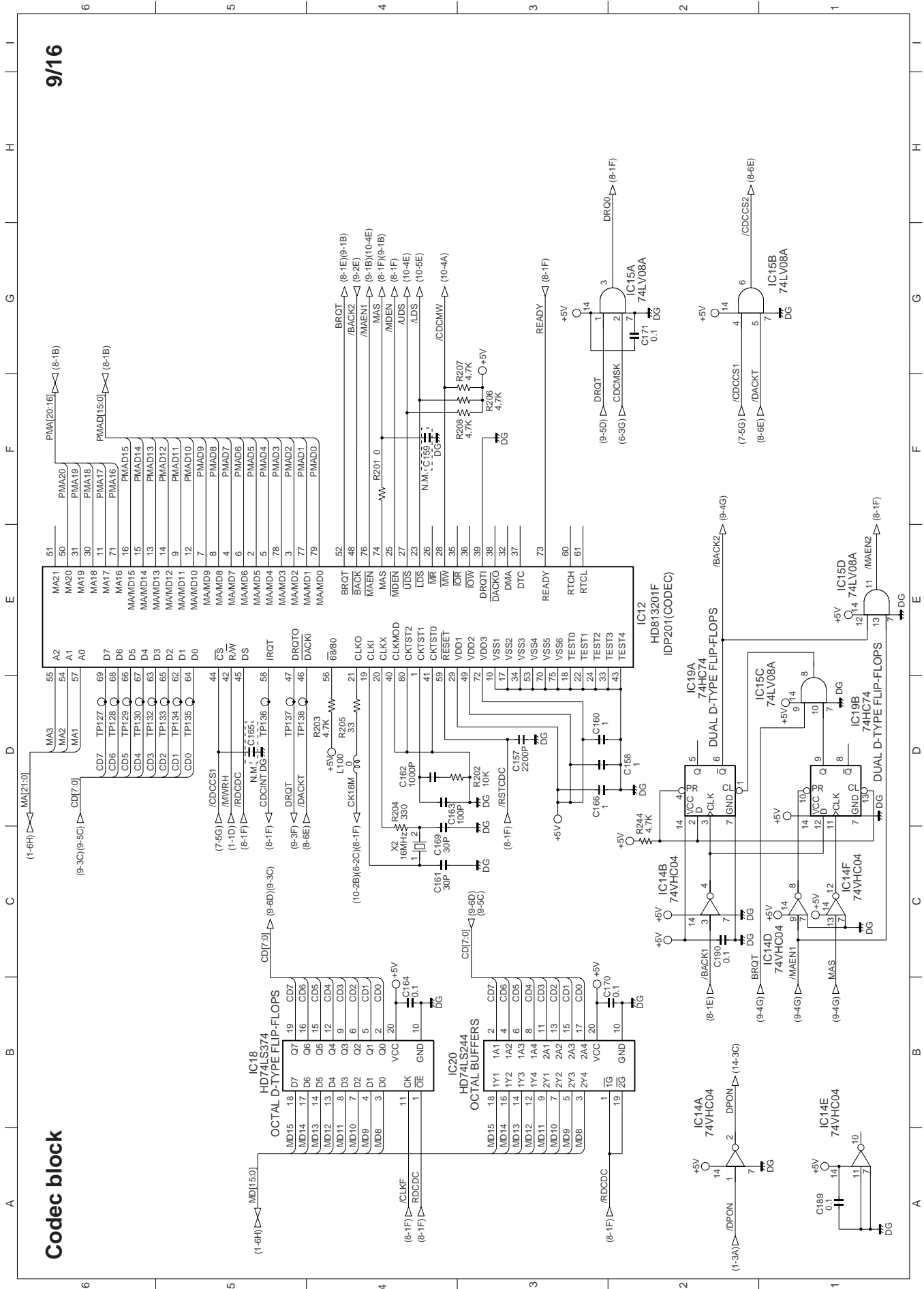
7/16

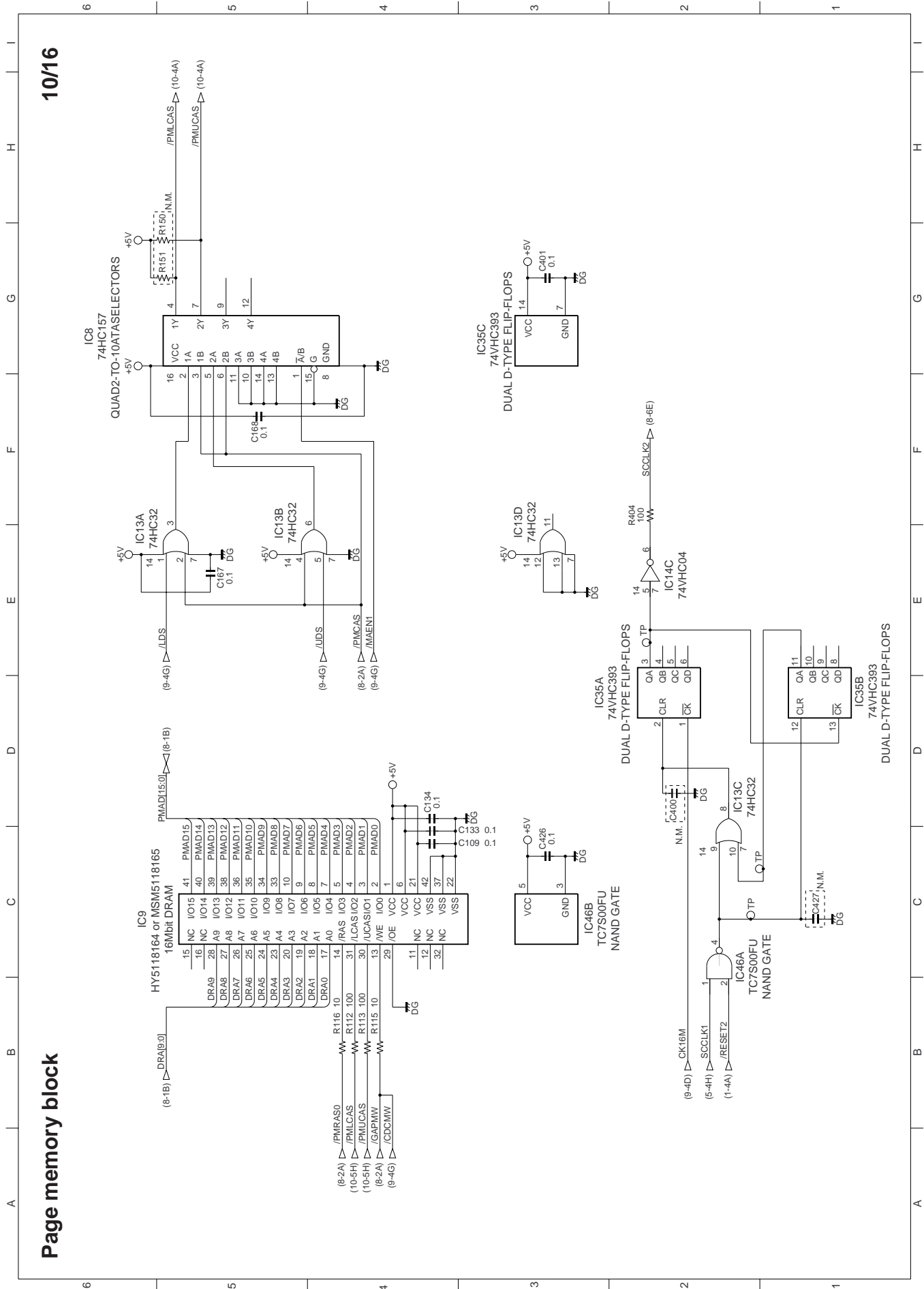




Gate array (B) block





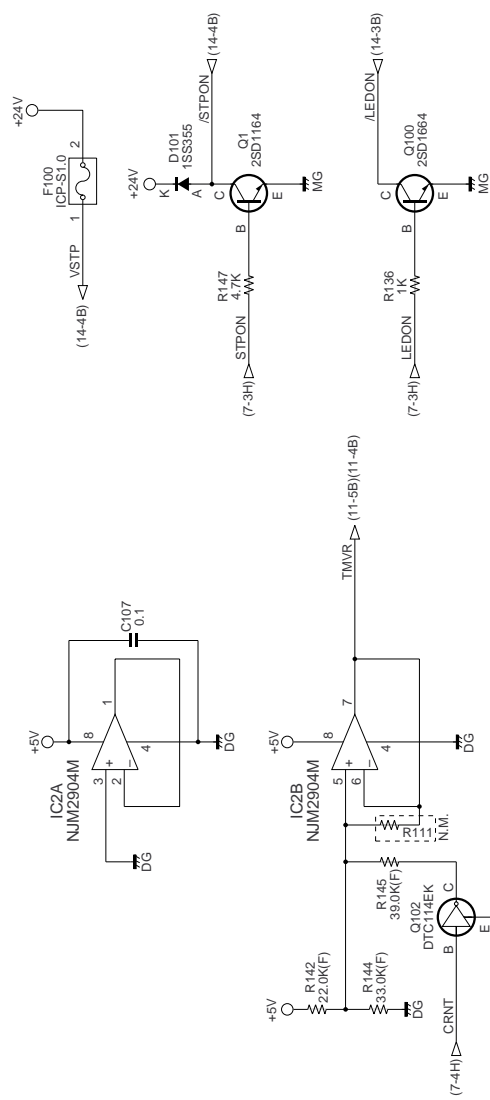
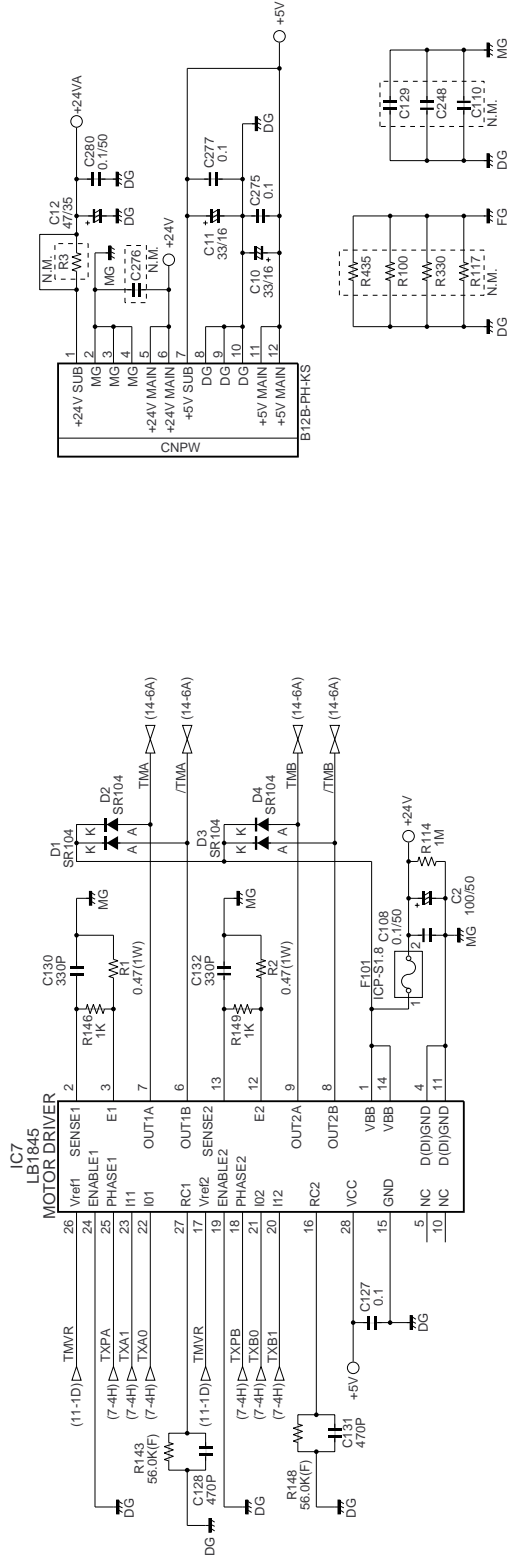


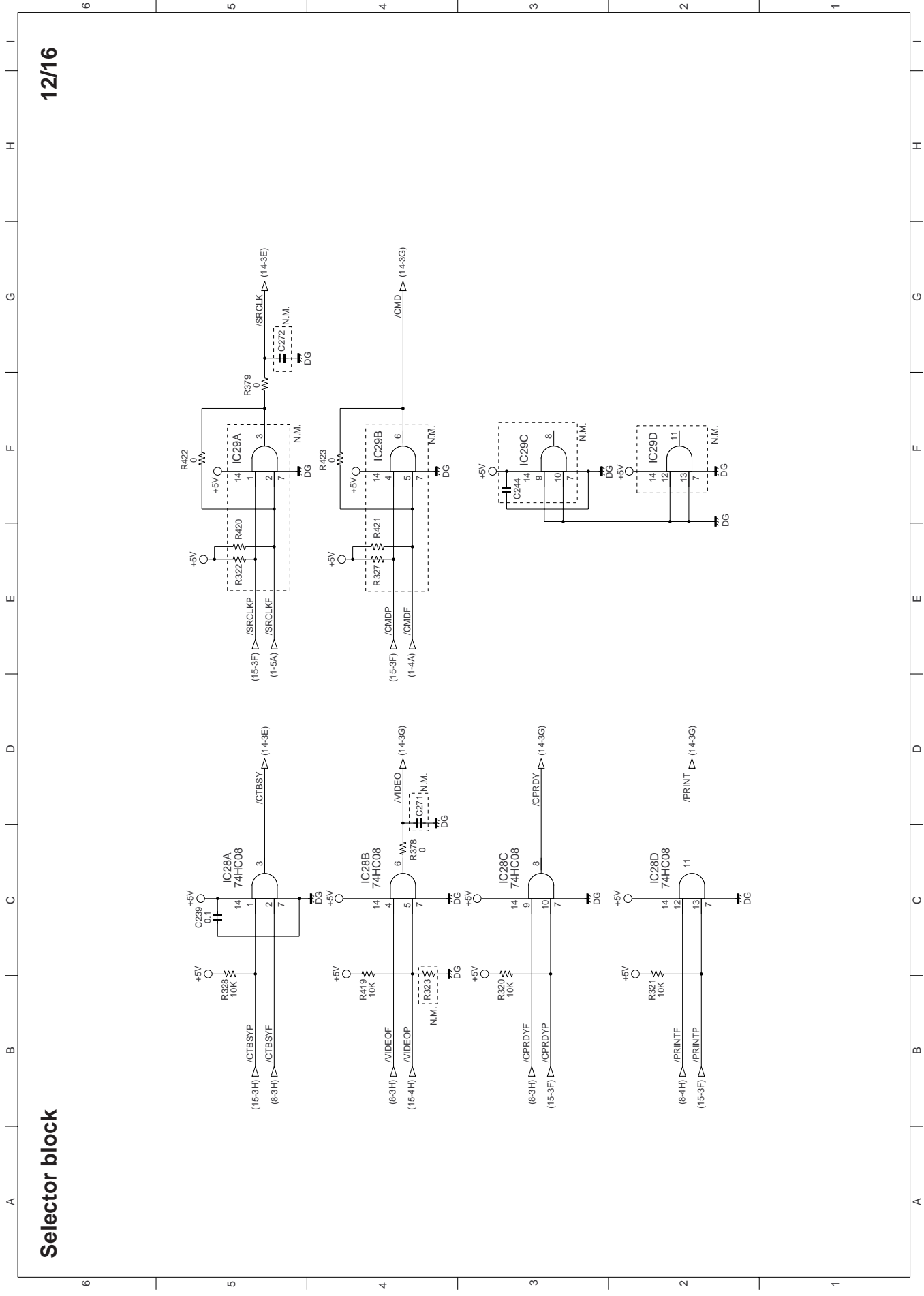
10/16

Page memory block

111/16

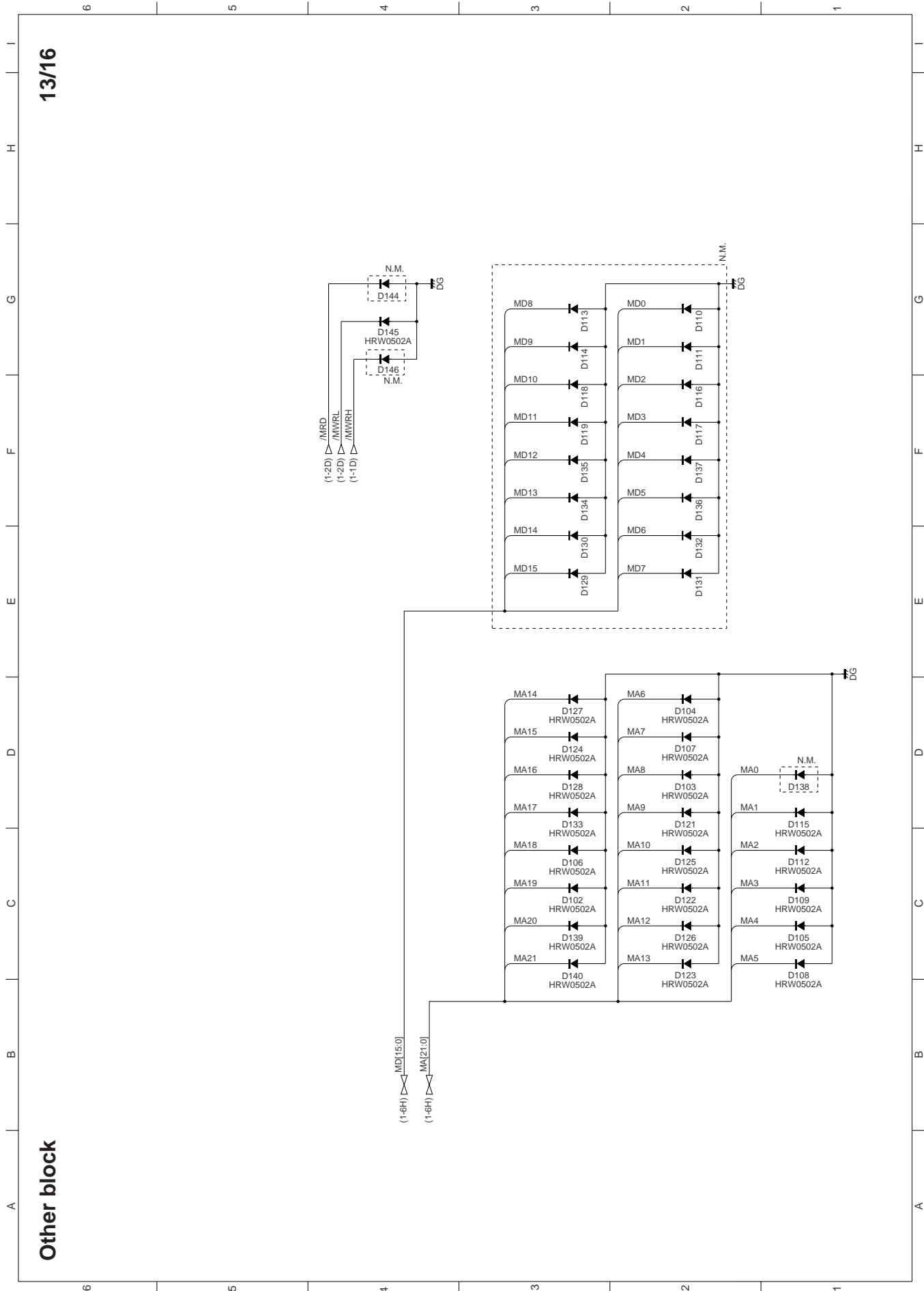
Drive & Power supply block



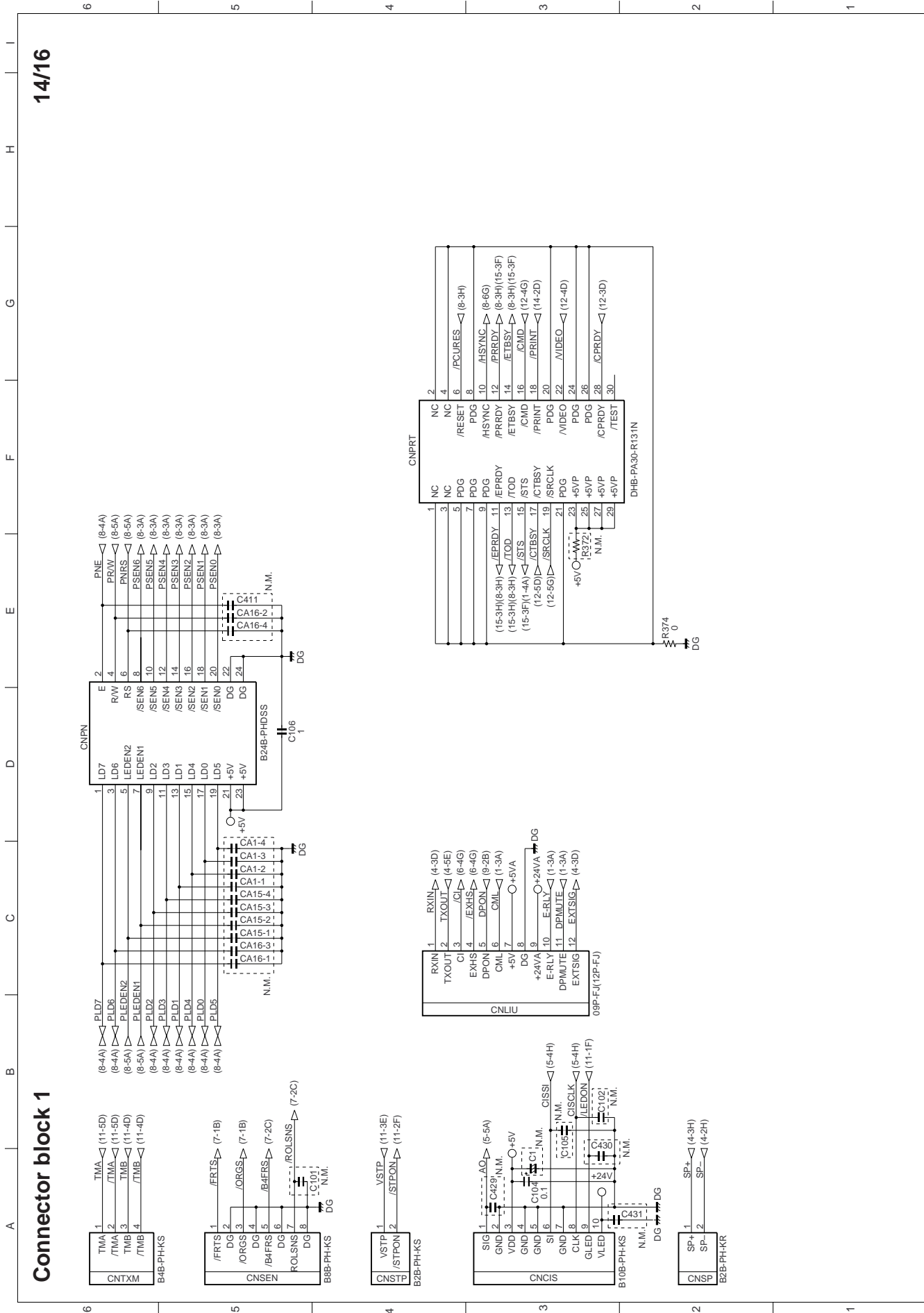


12/16

Selector block

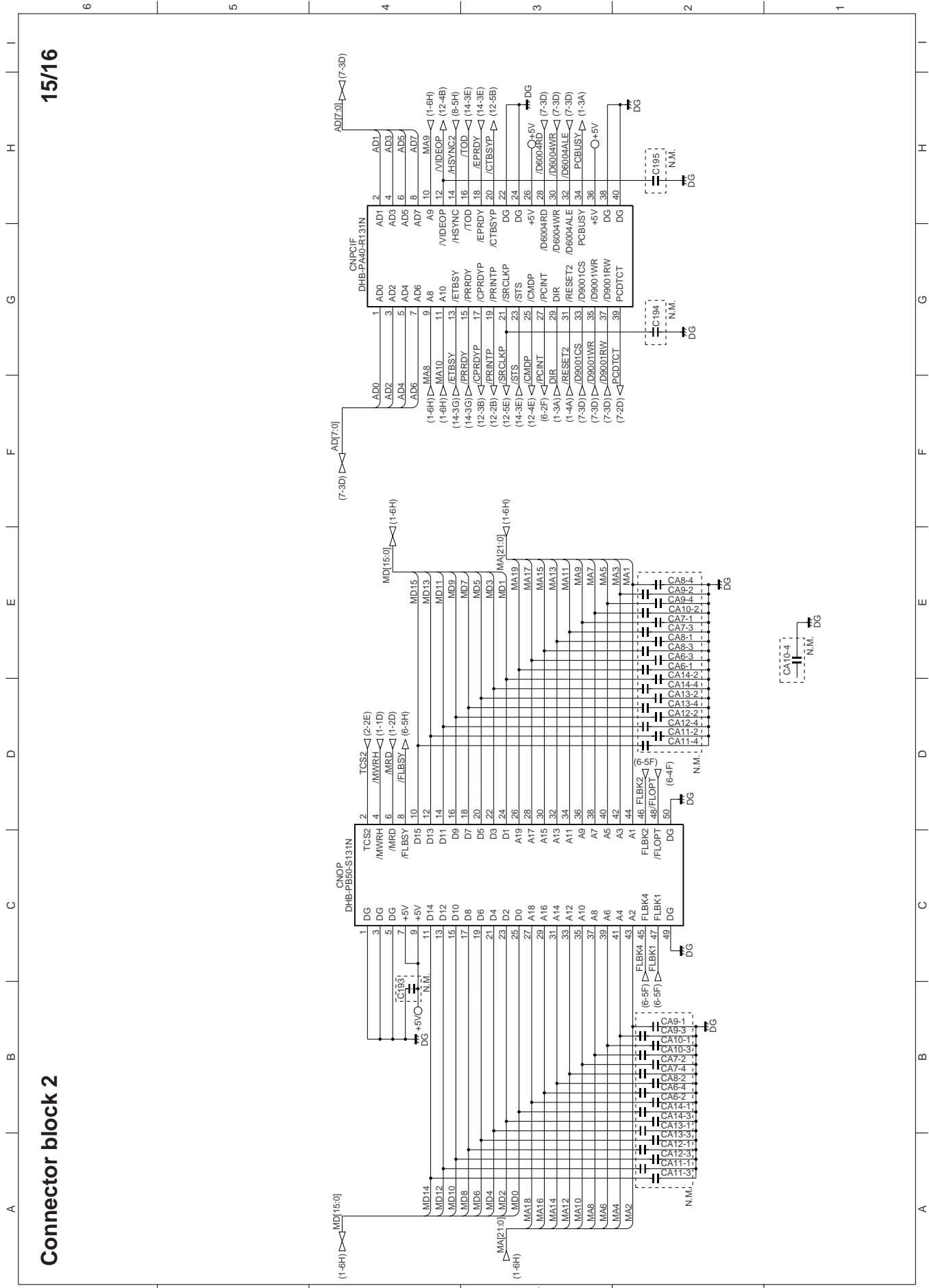


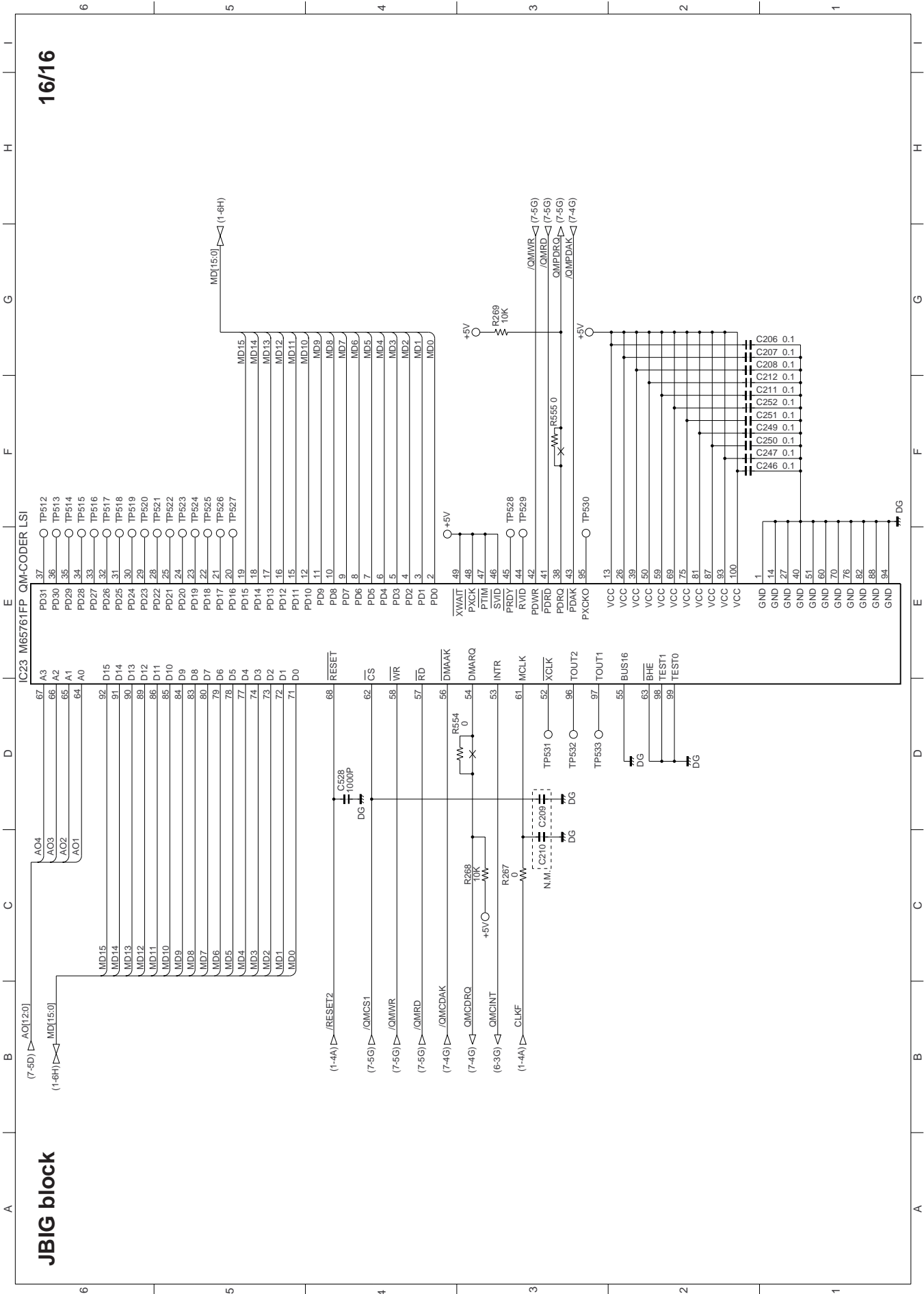
14/16



15/16

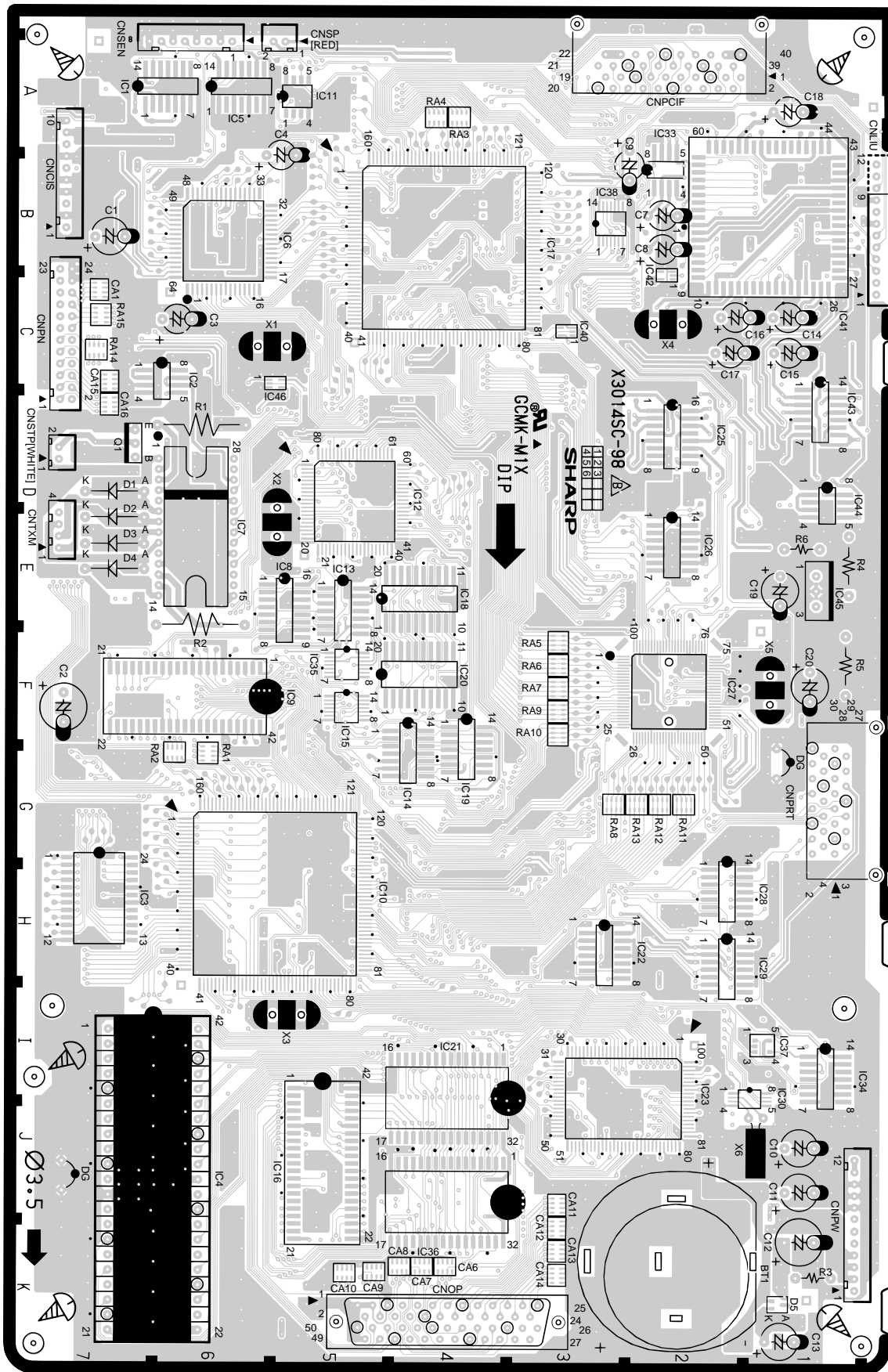
Connector block 2



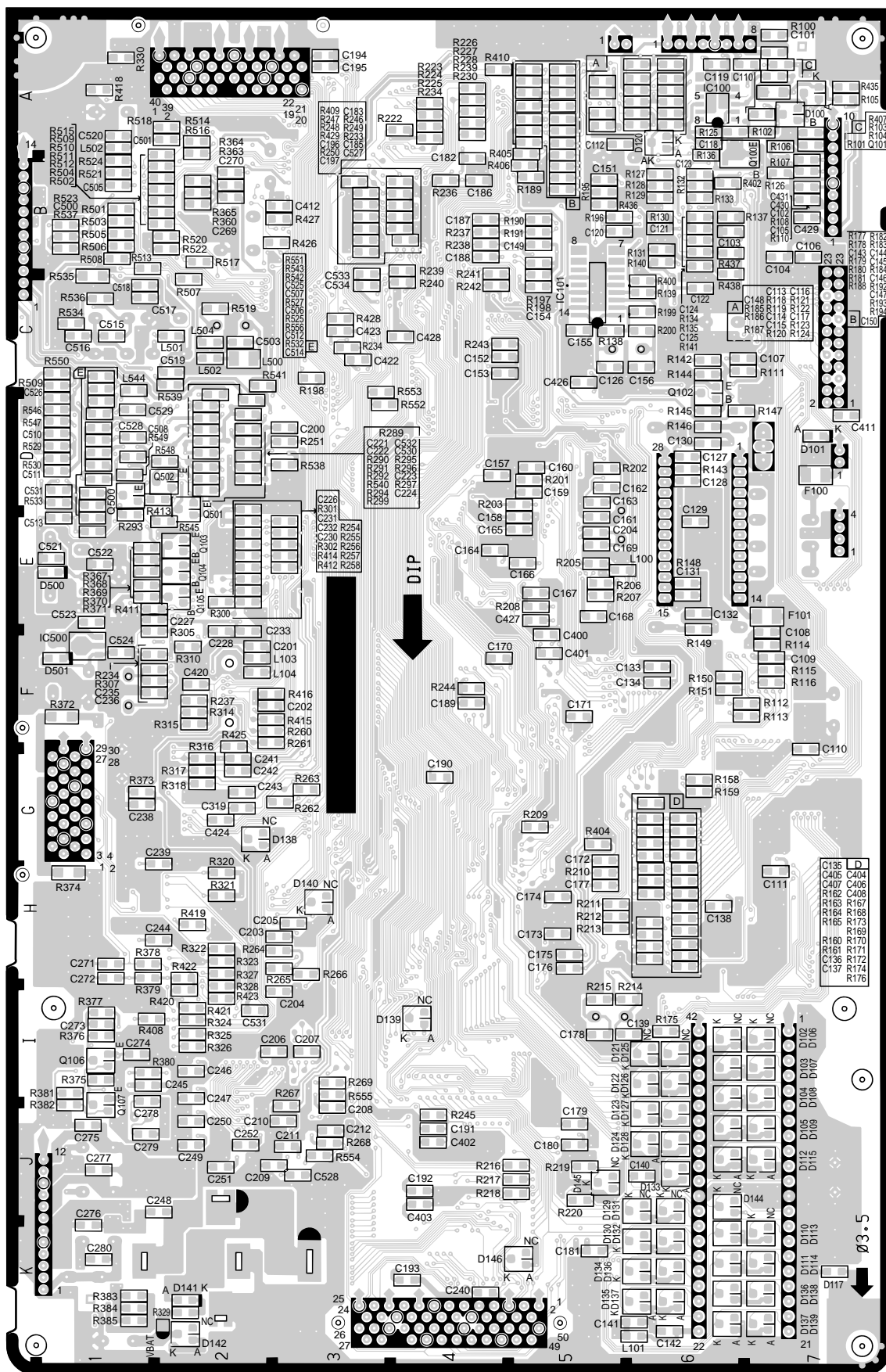




# Control PWB parts layout (Top side)

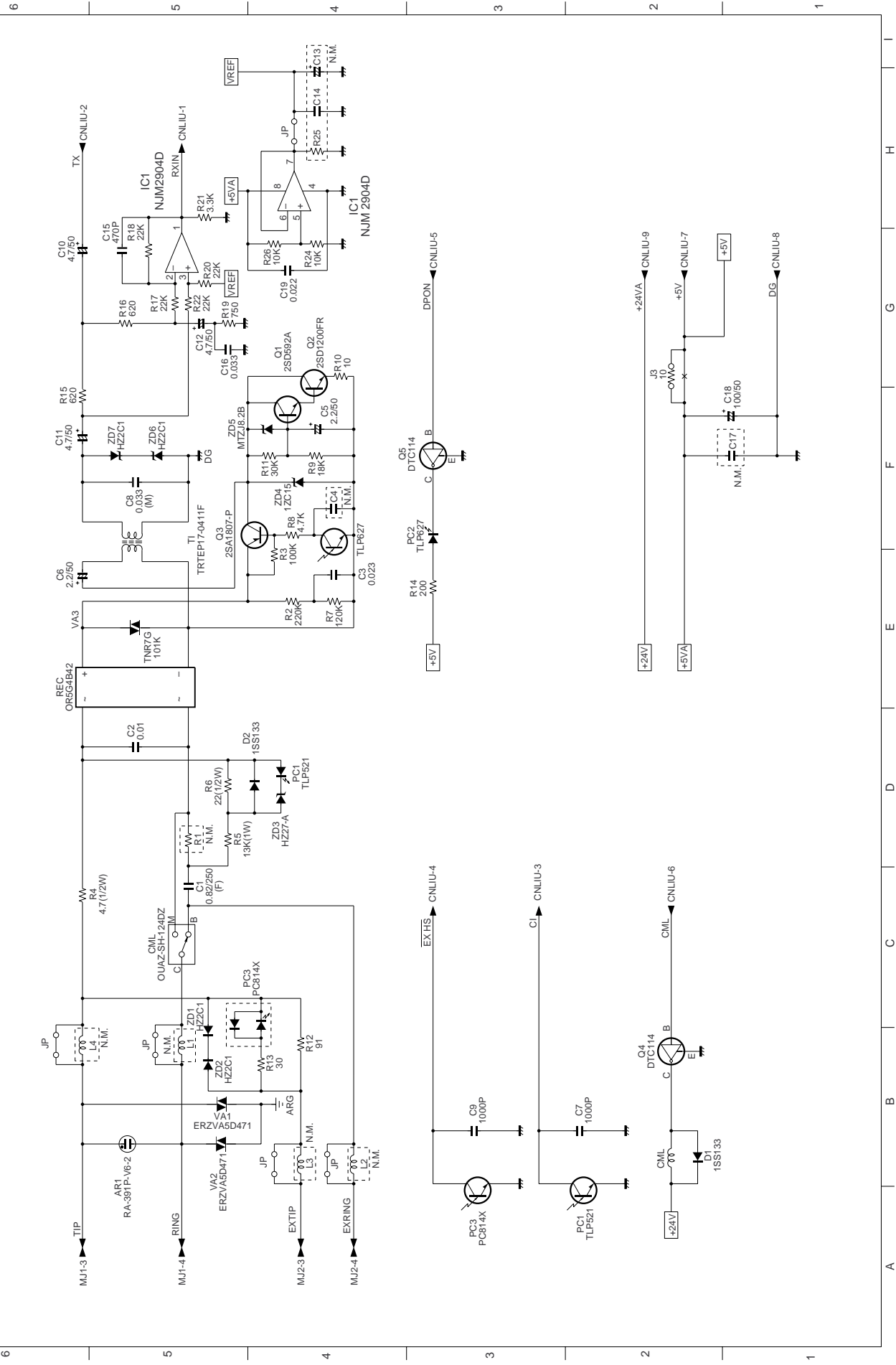


# Control PWB parts layout (Bottom side)

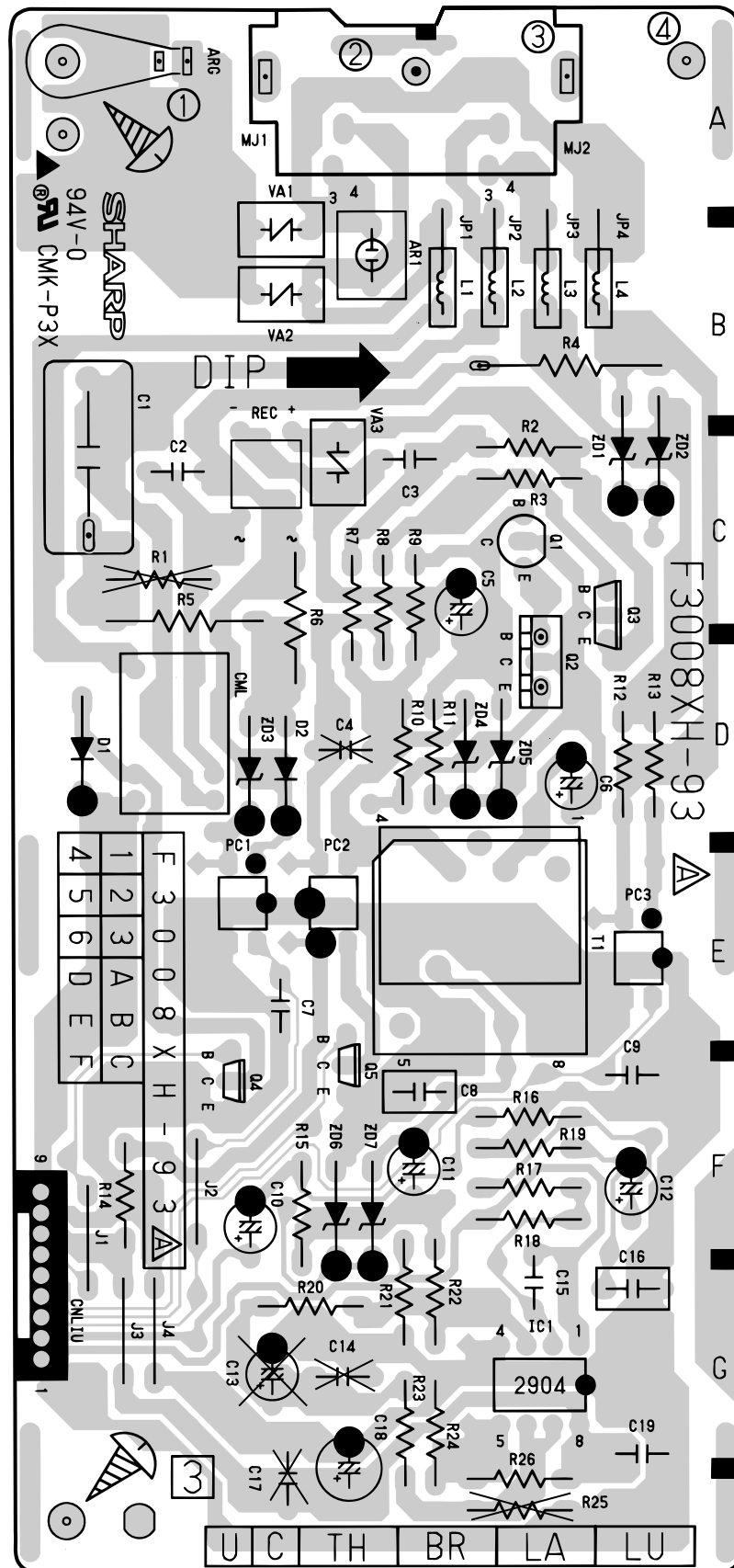


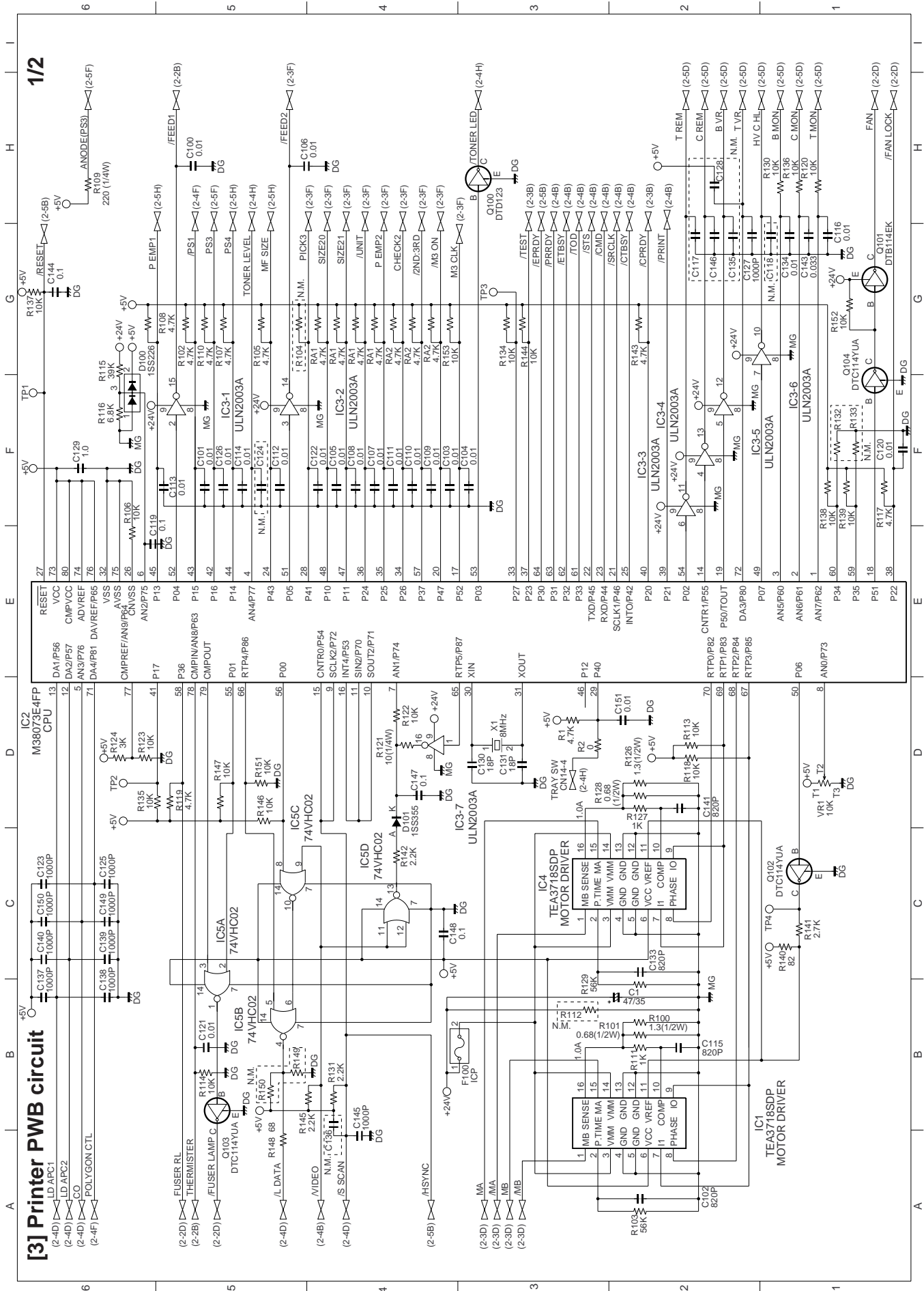
[2] LIU PWB circuit

1/1



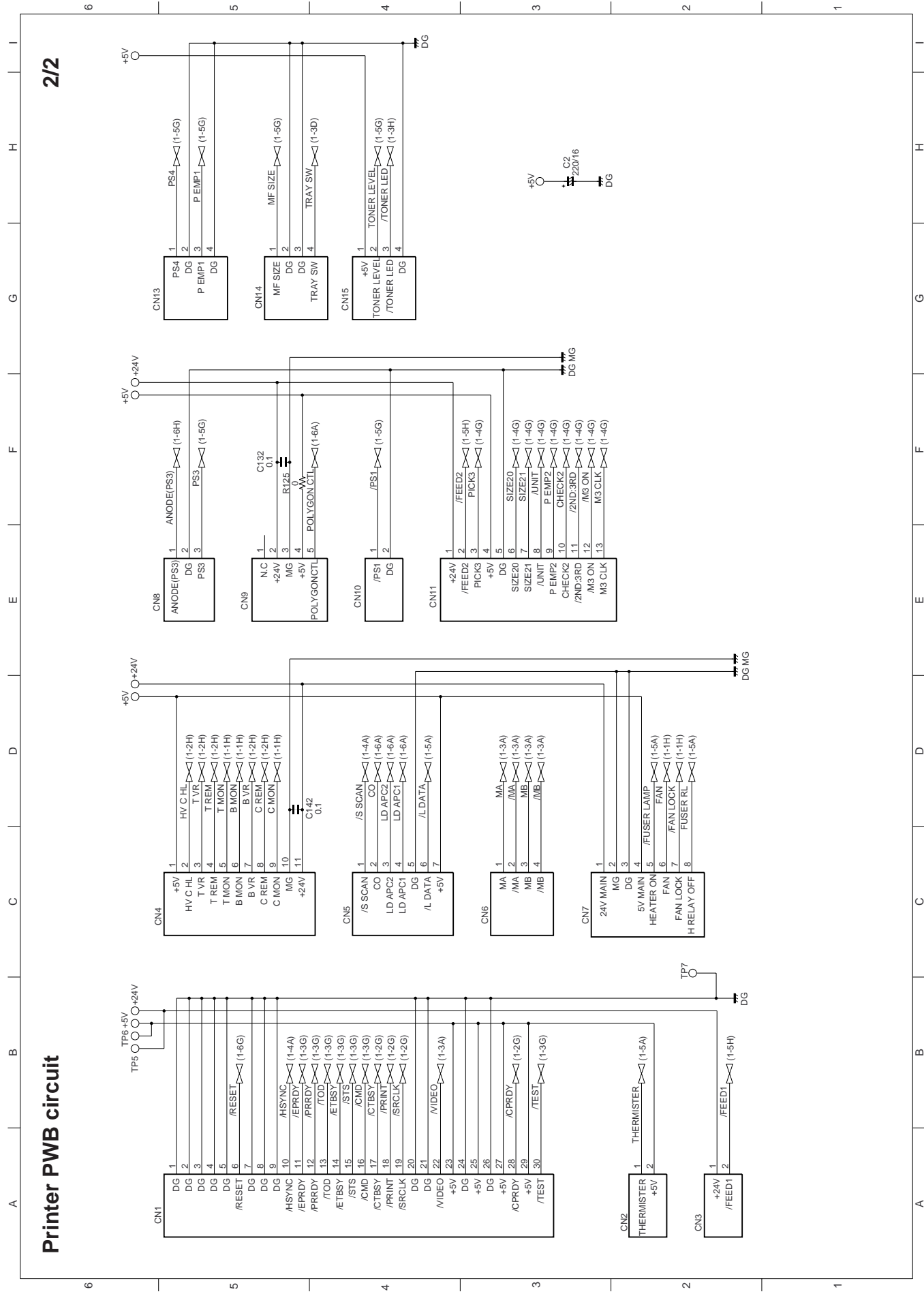
LIU PWB parts layout



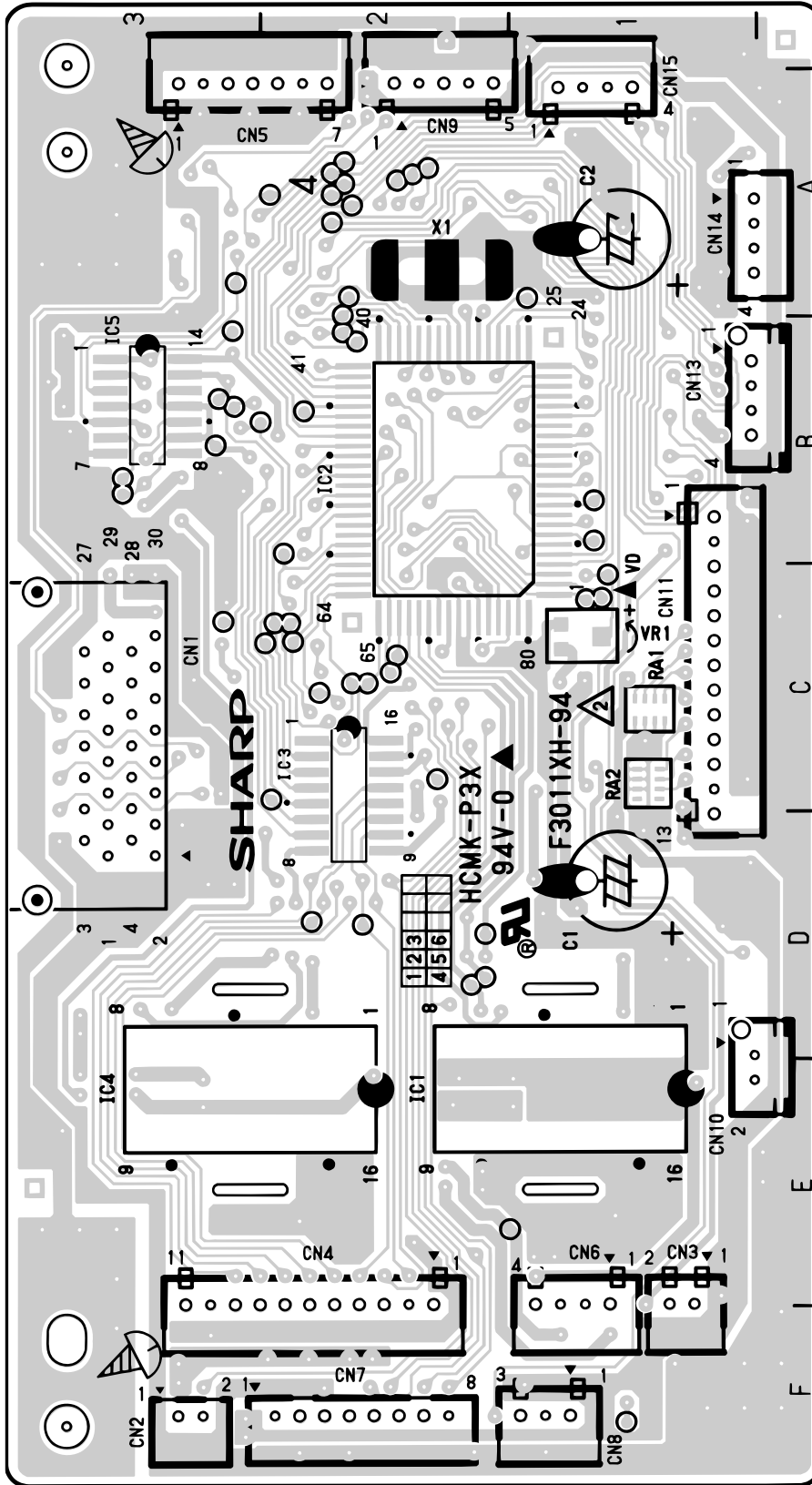


Printer PWB circuit

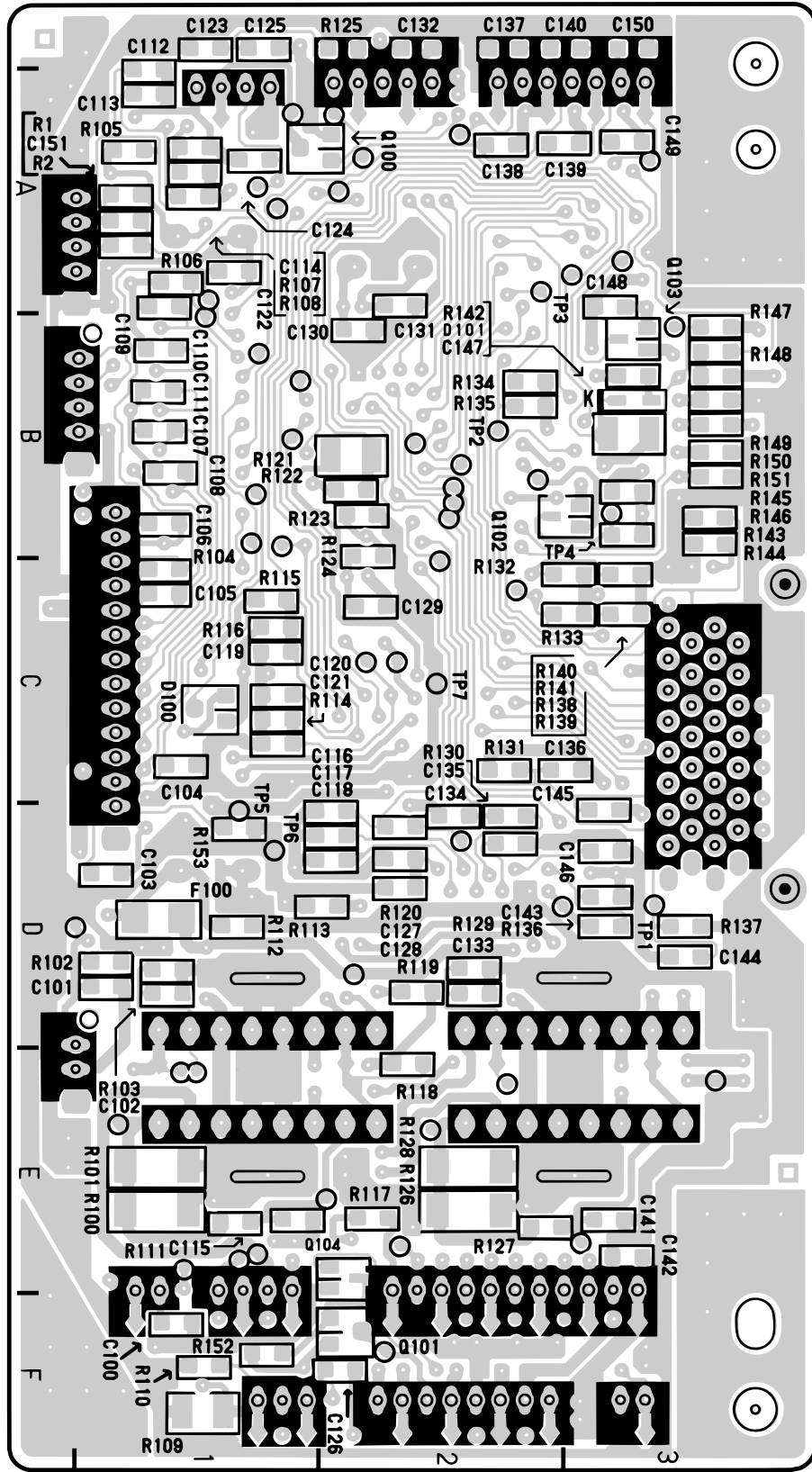
2/2



Printer PWB parts layout (Top side)



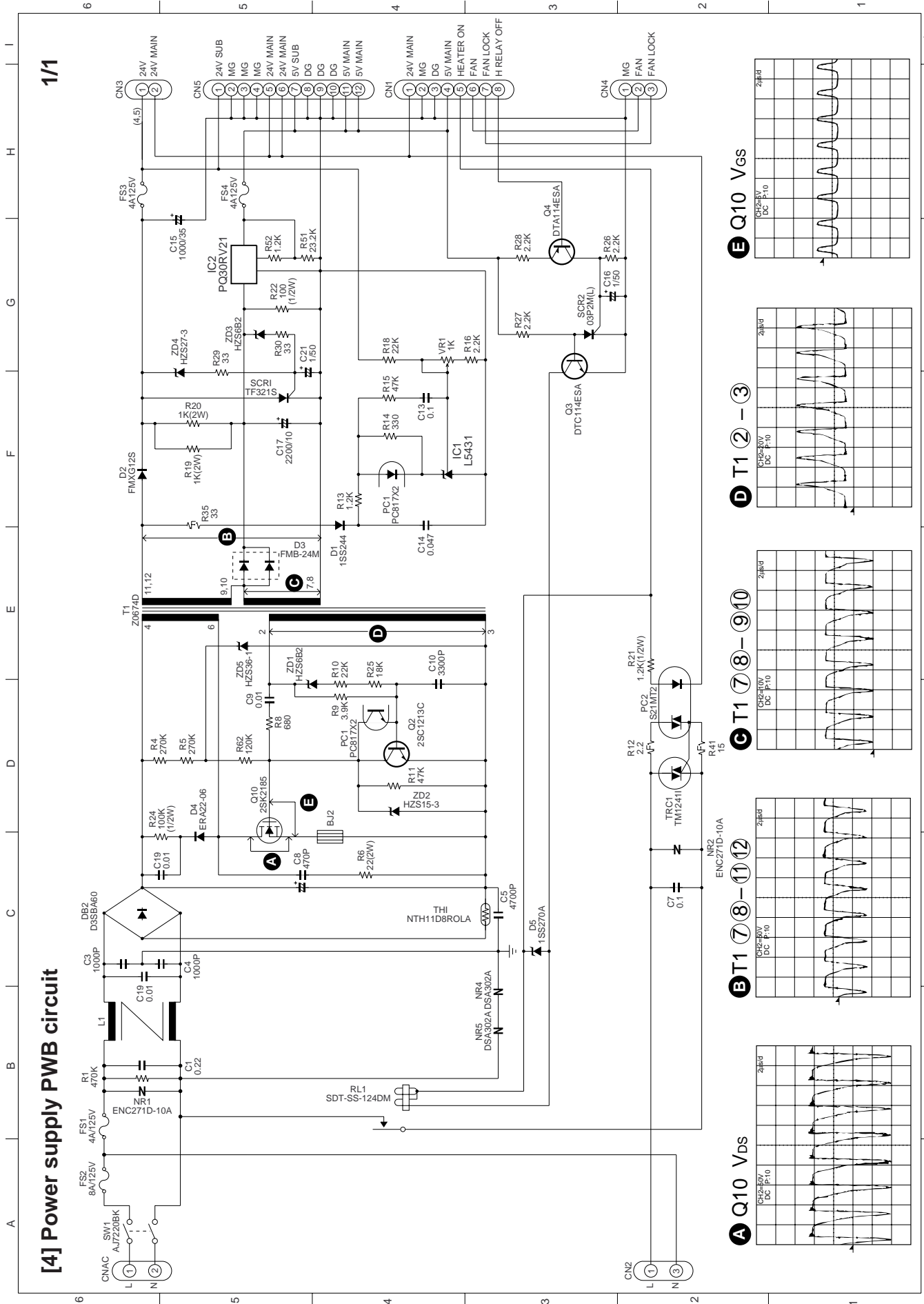
Printer PWB parts layout (Bottom side)



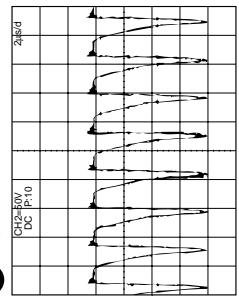


[4] Power supply PWB circuit

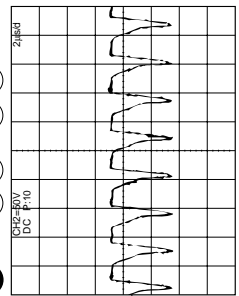
1/1



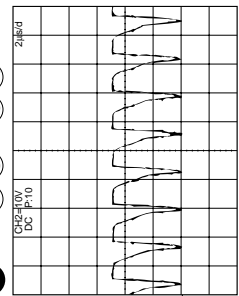
**A** Q10 VDS



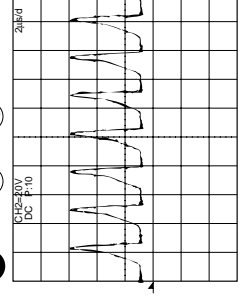
**B** T1 7 8 - 11 12



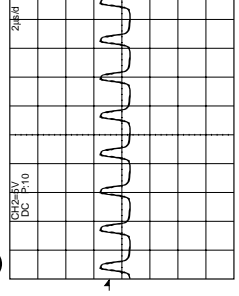
**C** T1 7 8 - 9 10



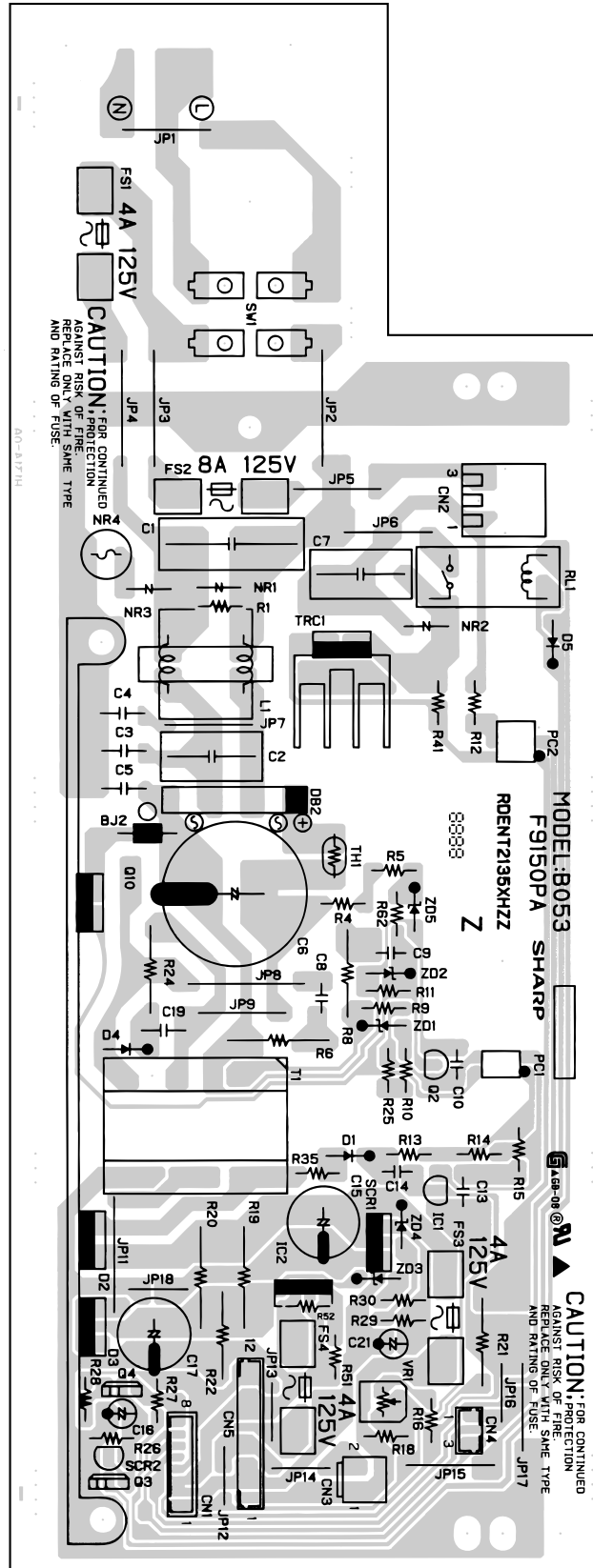
**D** T1 2 - 3



**E** Q10 VGS

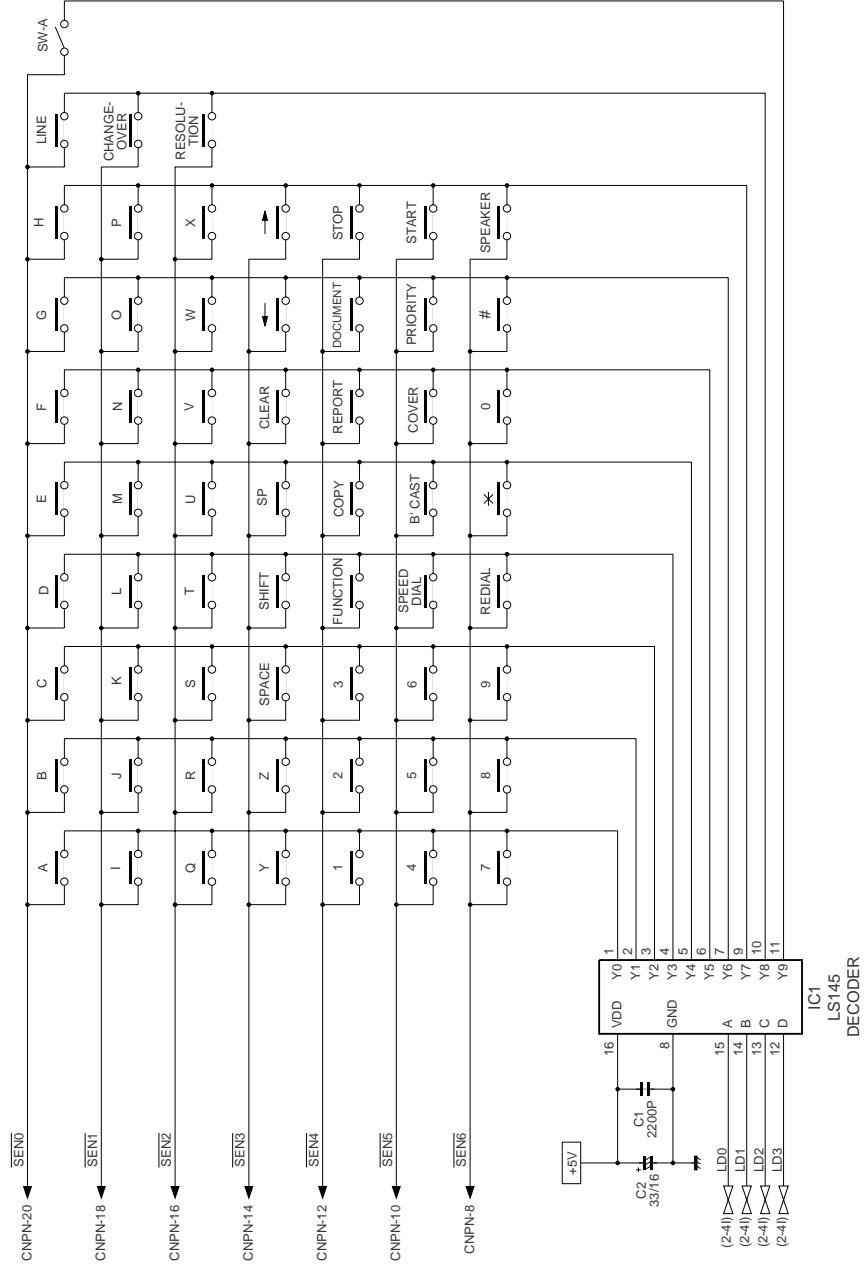


Power supply PWB parts layout



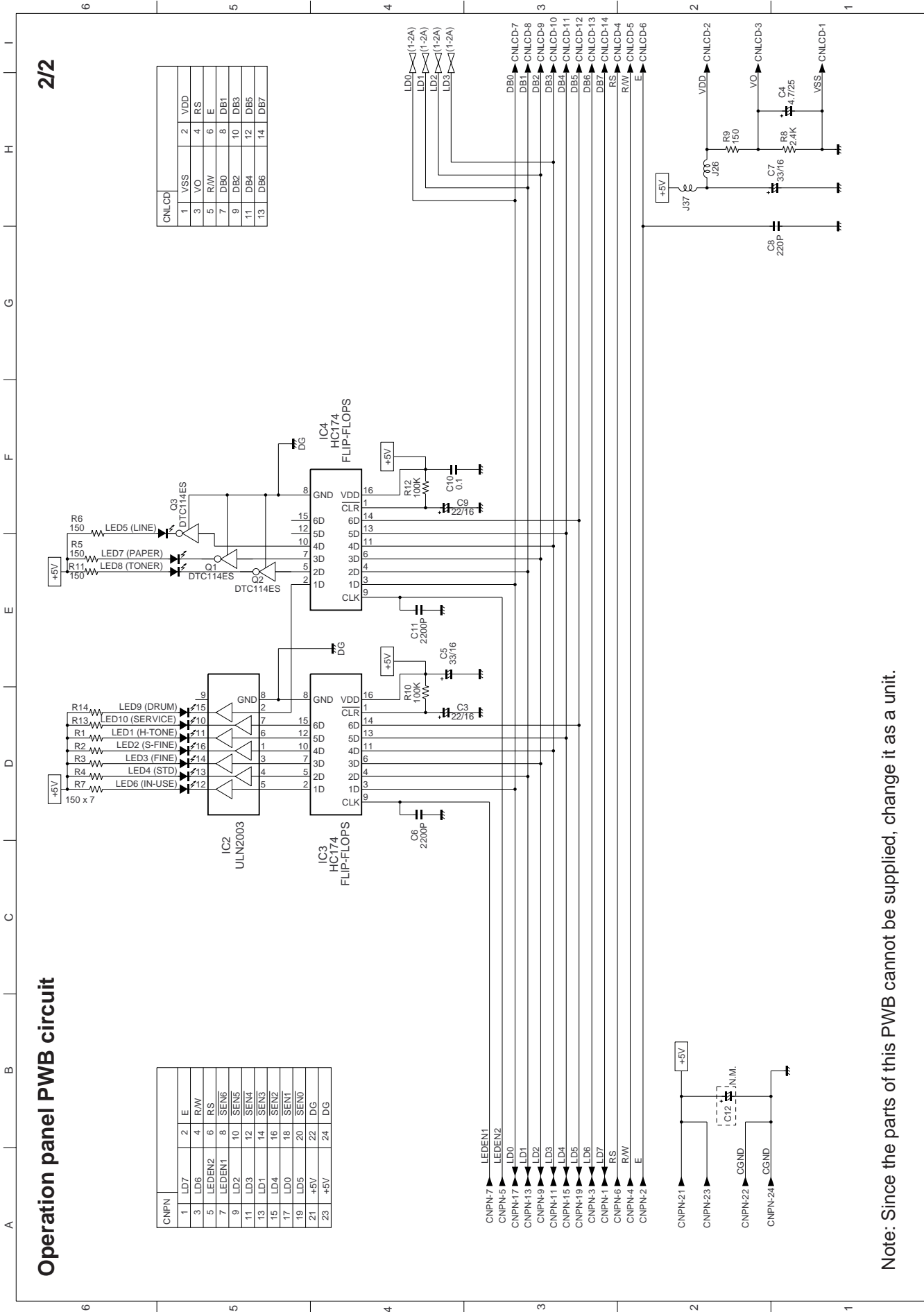
[5] Operation panel PWB circuit

1/2



Note: Since the parts of this PWB cannot be supplied, change it as a unit.

### Operation panel PWB circuit



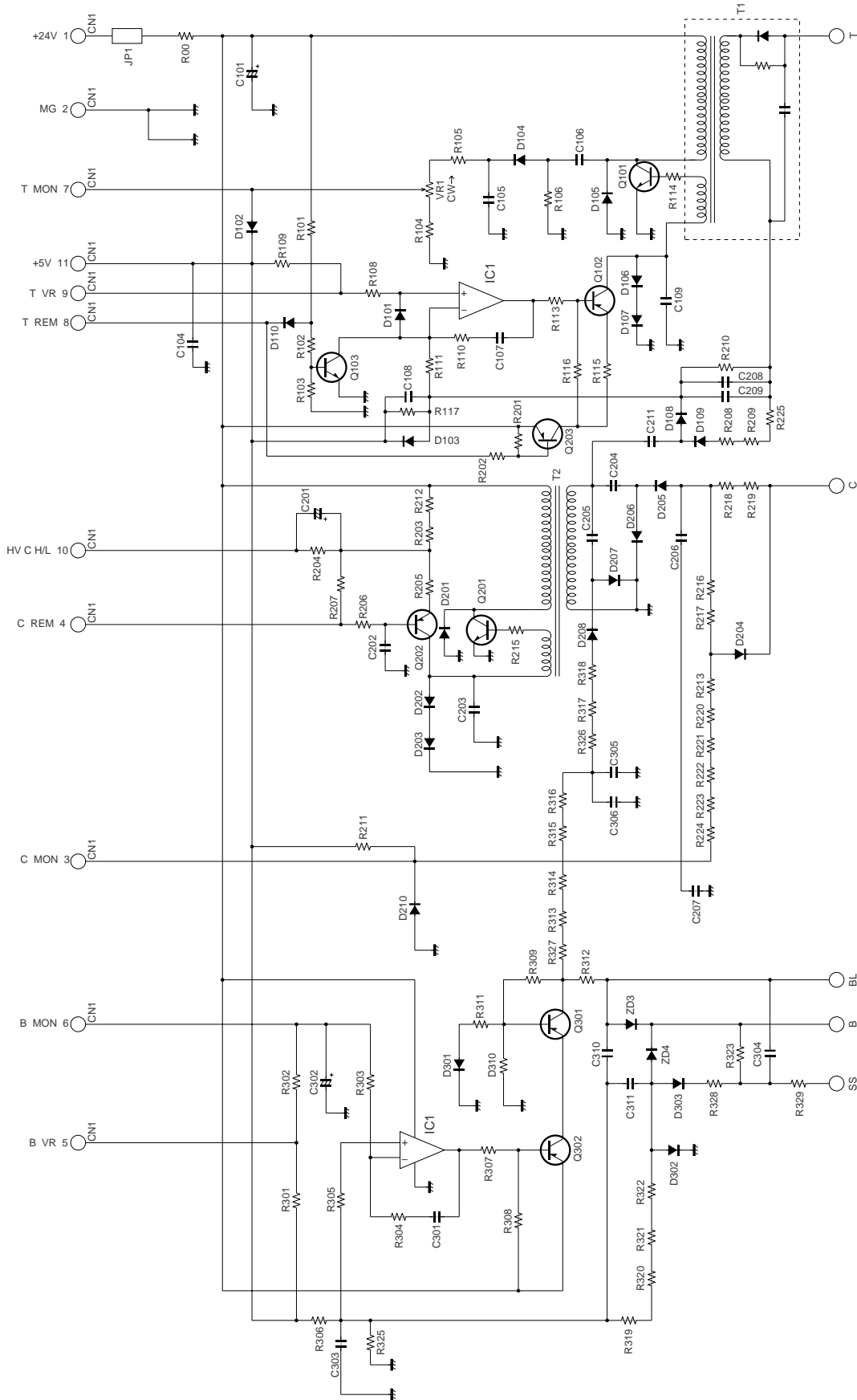
CNPN	1	LD7	2	E
3	LD6	4	R/W	
5	LEDEN2	6	RS	
7	LEDEN1	8	SEN $\bar{E}$	
9	LD2	10	SEN $\bar{E}$	
11	LD3	12	SEN $\bar{E}$	
13	LD1	14	SEN3	
15	LD4	16	SEN2	
17	LD0	18	SENT	
19	LD5	20	SEN $\bar{O}$	
21	+5V	22	DG	
23	+5V	24	DG	

CNLCD	1	VSS	2	VDD
3	VO <td>4</td> <td>RS <td></td> </td>	4	RS <td></td>	
5	R/W <td>6</td> <td>E <td></td> </td>	6	E <td></td>	
7	DB0 <td>8</td> <td>DB1 <td></td> </td>	8	DB1 <td></td>	
9	DB2 <td>10</td> <td>DB3 <td></td> </td>	10	DB3 <td></td>	
11	DB4 <td>12</td> <td>DB5 <td></td> </td>	12	DB5 <td></td>	
13	DB6 <td>14</td> <td>DB7 <td></td> </td>	14	DB7 <td></td>	

Note: Since the parts of this PWB cannot be supplied, change it as a unit.

1/1

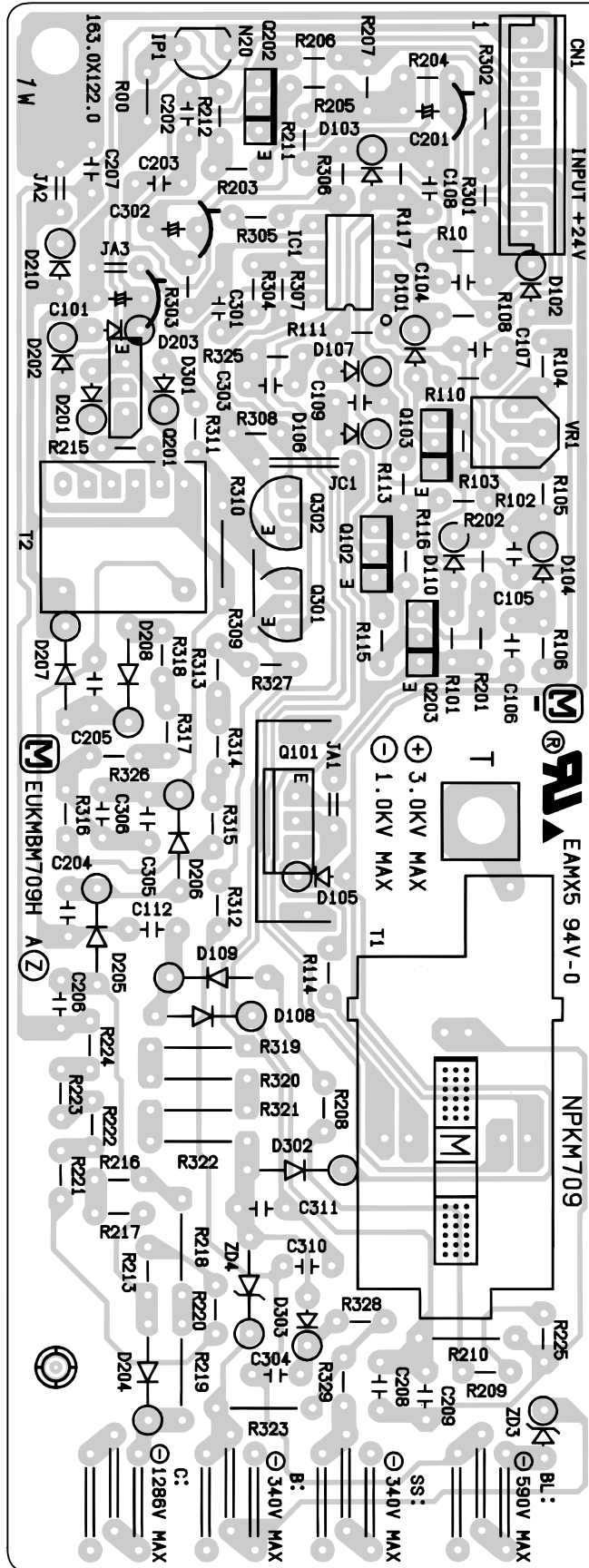
[6] High voltage PWB circuit



Note: Since the parts of this PWB cannot be supplied, change it as a unit.

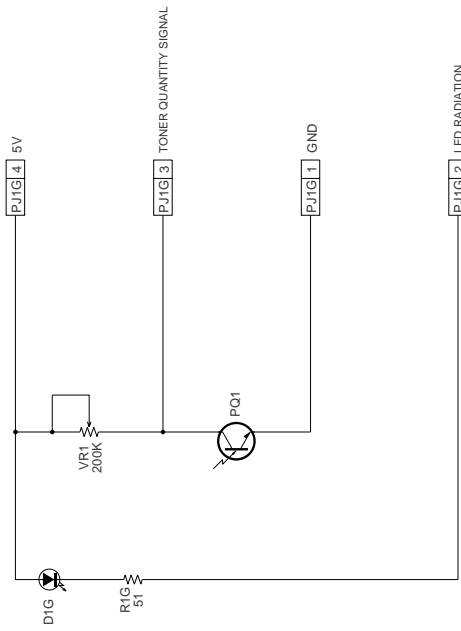
### High voltage PWB parts layout

Note: Since the parts of this PWB cannot be supplied, change it as a unit.

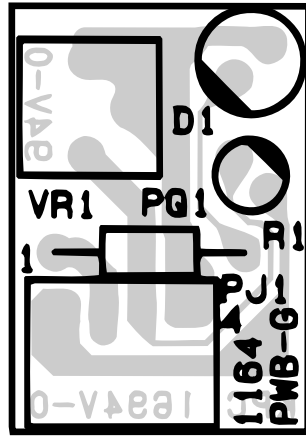


[7] Toner empty PWB circuit

1/1



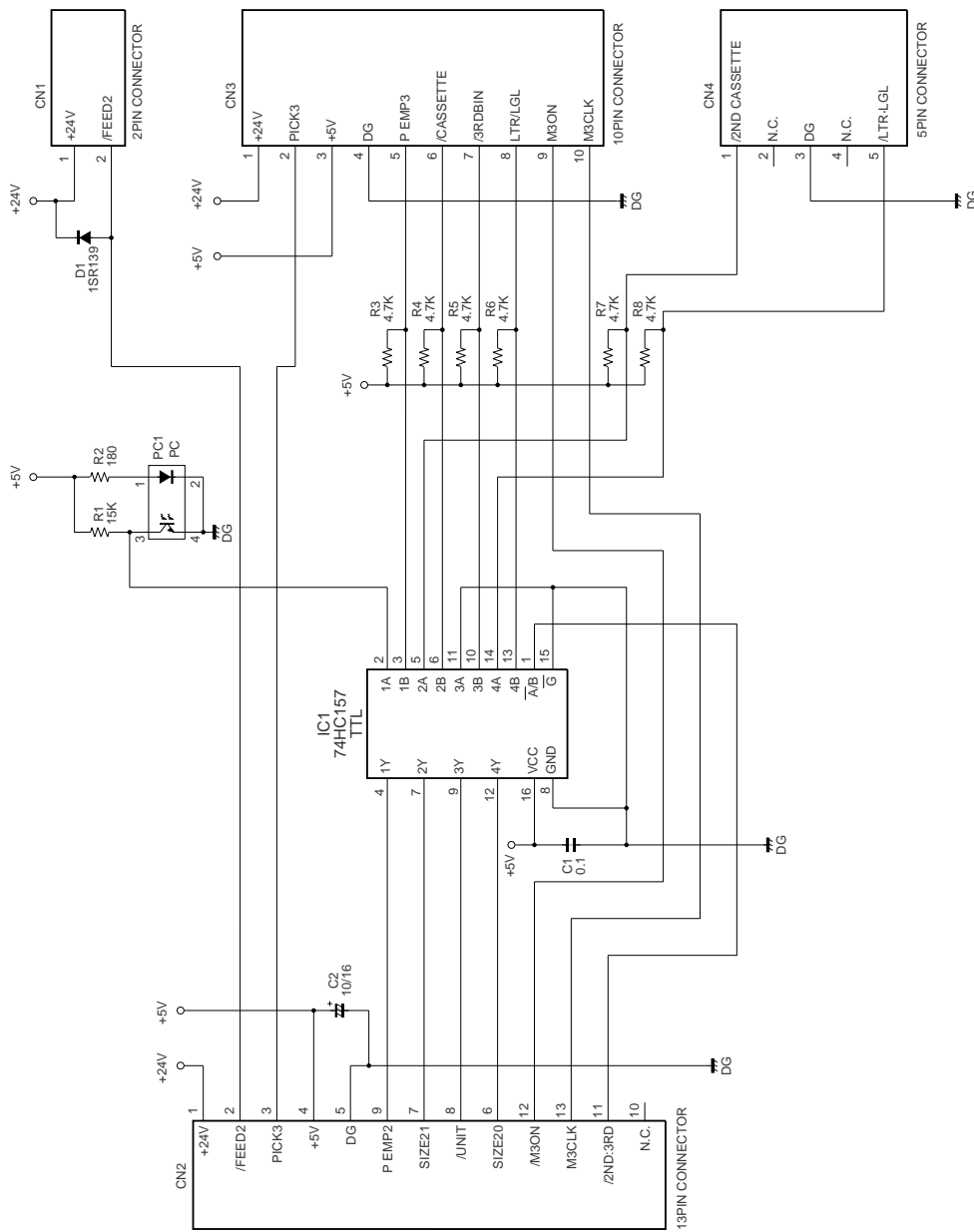
Toner empty PWB parts layout



Note: Since the parts of this PWB cannot be supplied, change it as a unit.

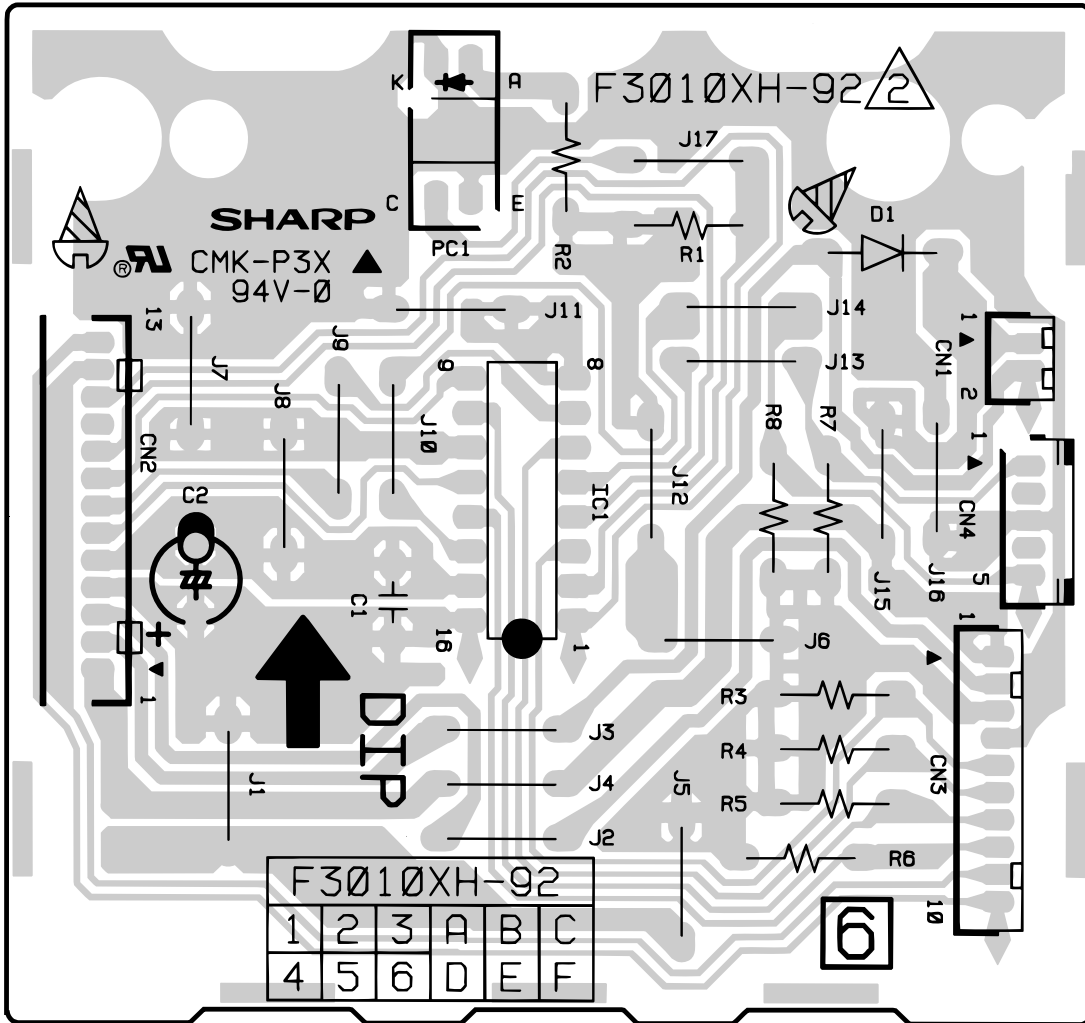
1/1

[8] 2nd. cassette PWB circuit



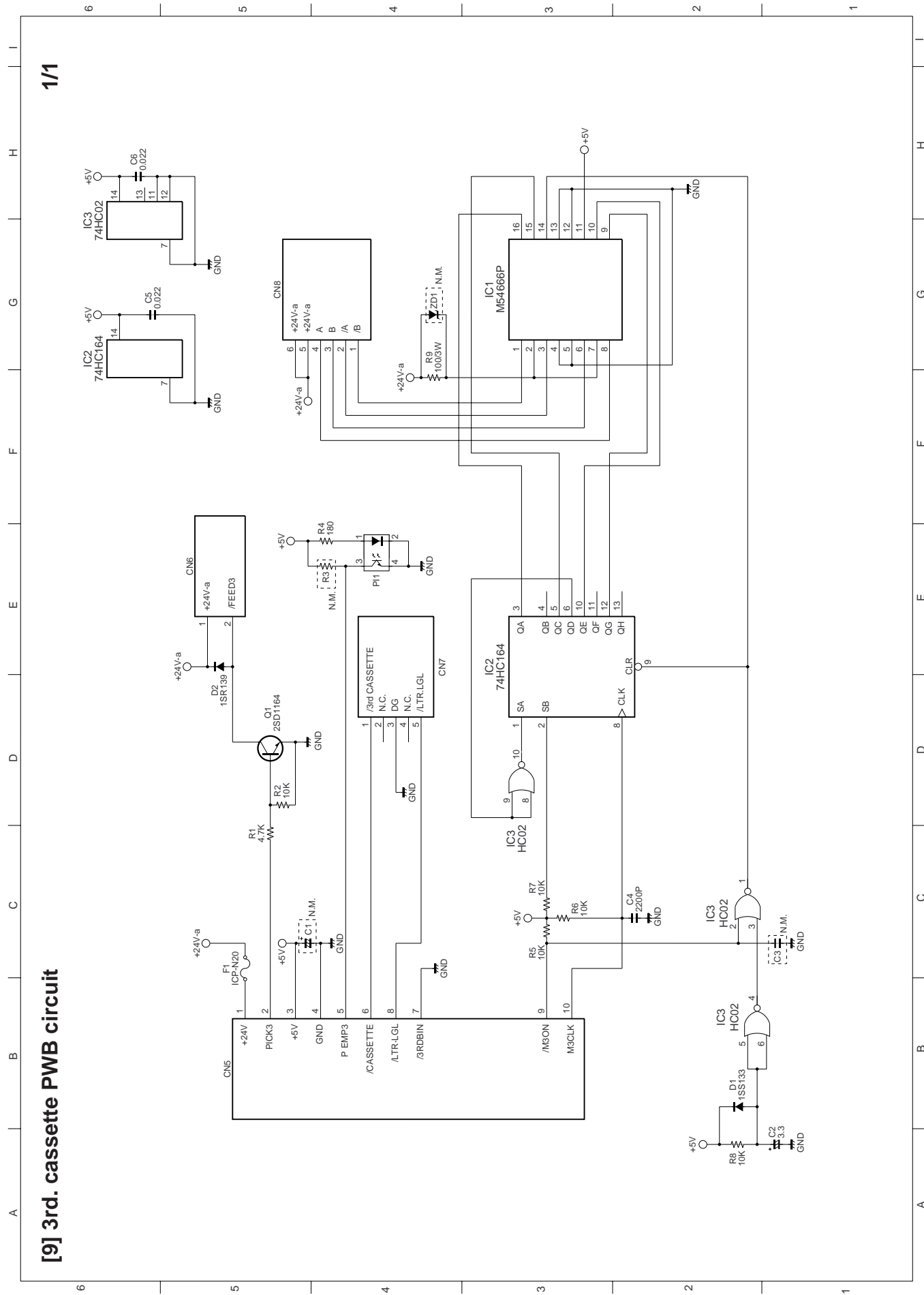


2nd. cassette PWB parts layout

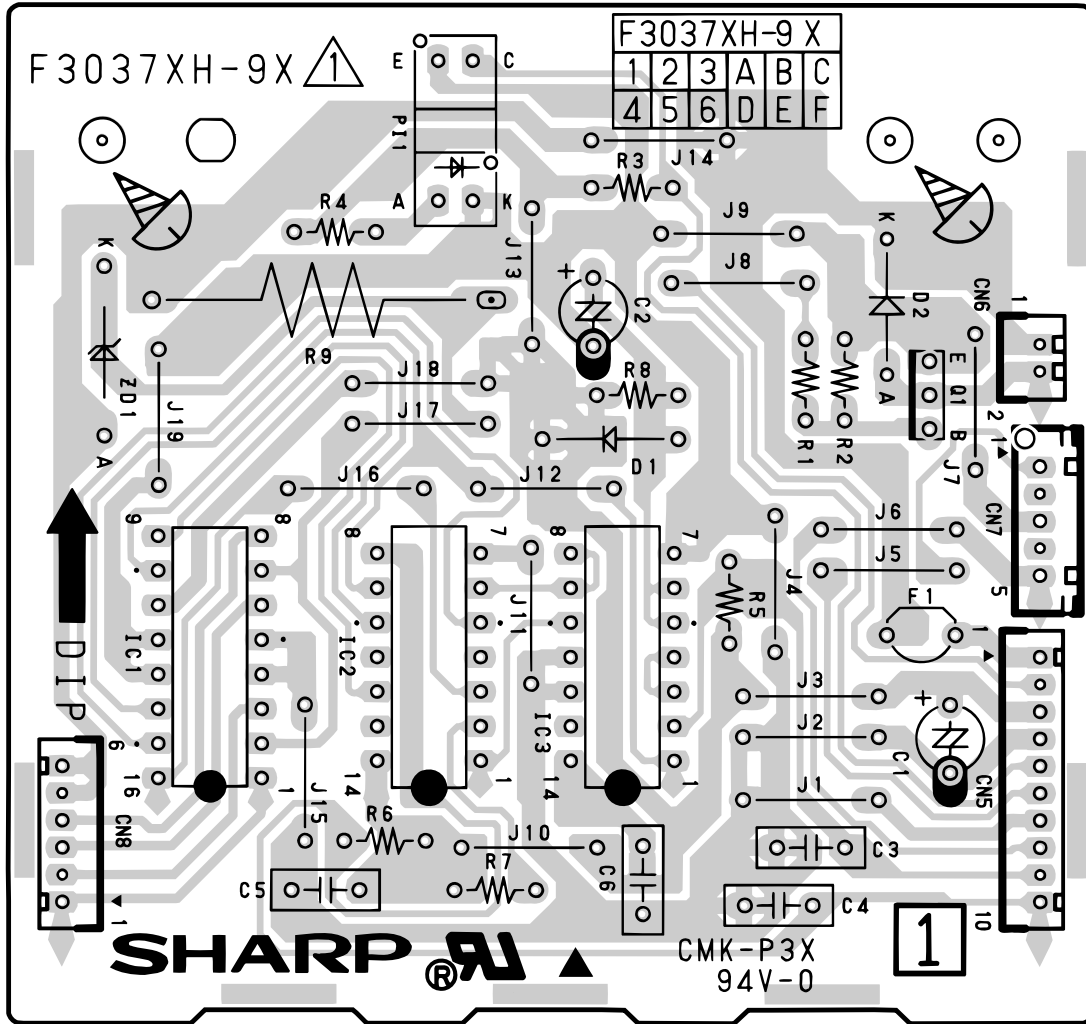


[9] 3rd. cassette PWB circuit

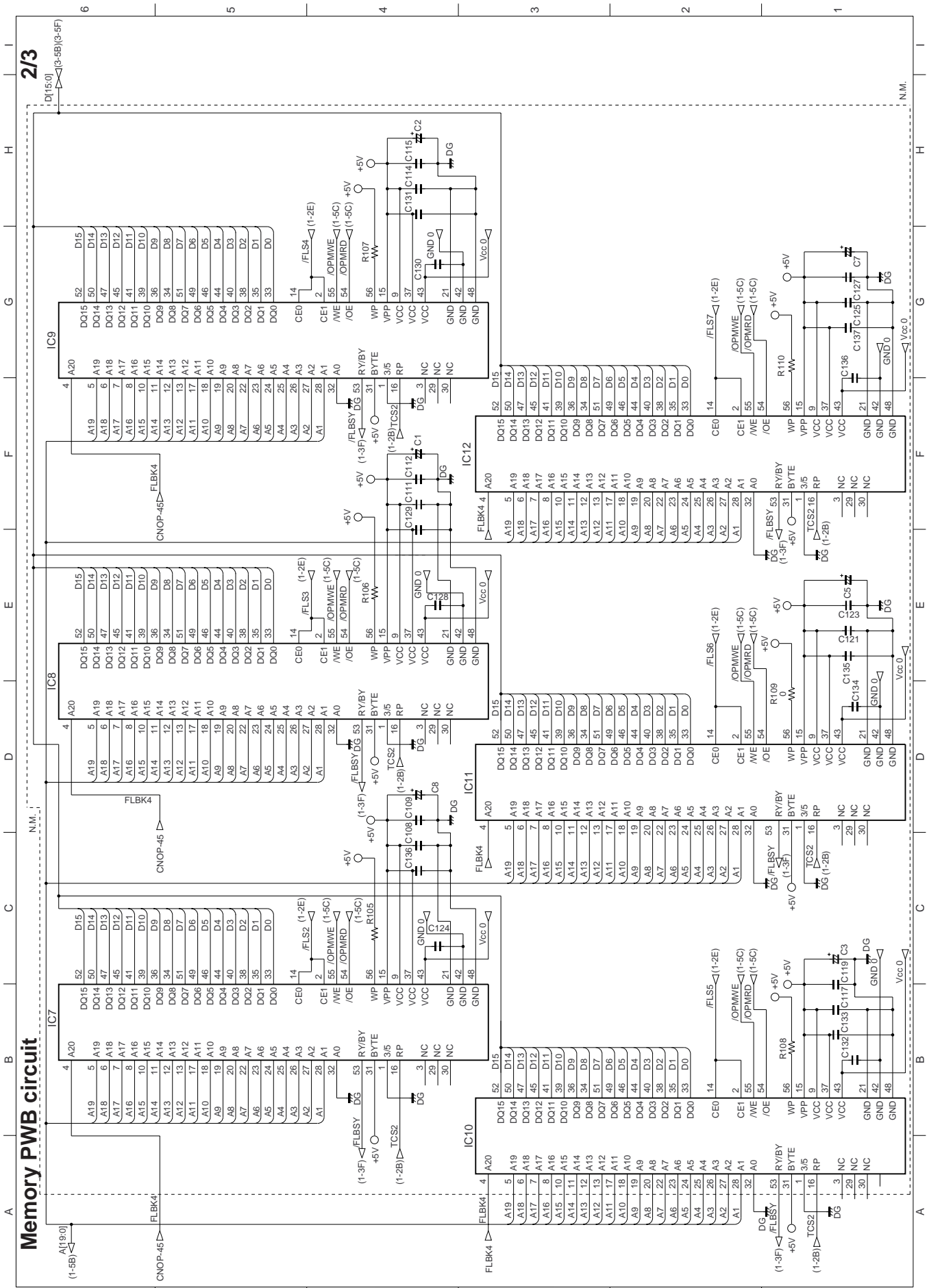
1/1



3rd. cassette PWB parts layout

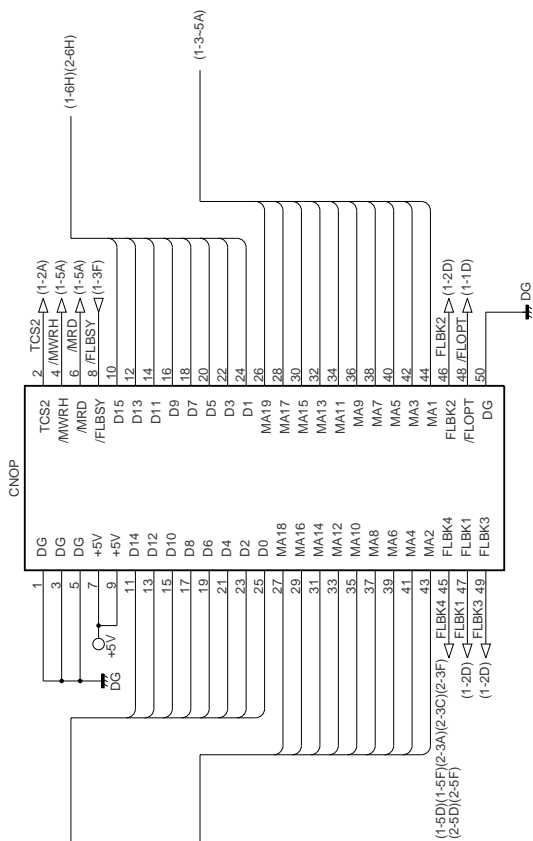




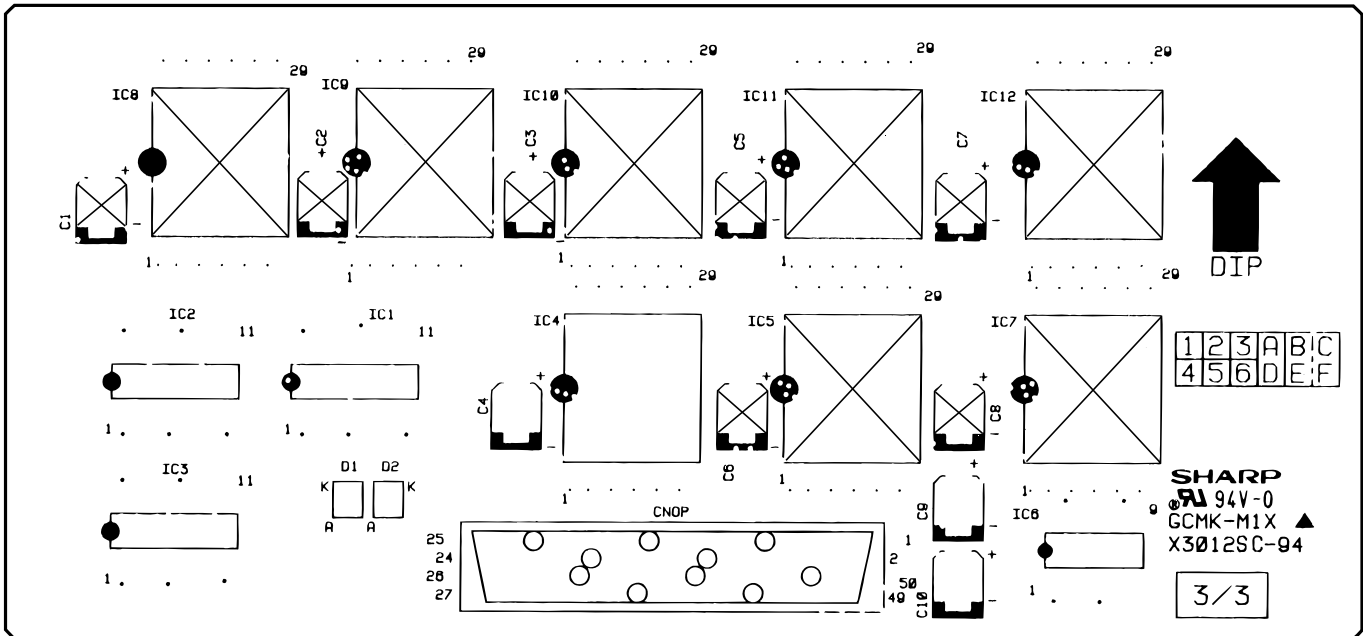


Memory PWB circuit

3/3



Memory PWB parts layout (Top side)



Memory PWB parts layout (Bottom side)

